



SIMPSON

Strong-Tie

®

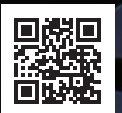
COLUMN CAPS & POST BASES

GENUINE

Simpson Strong-Tie® Connectors 

2017 CATALOGUE

C-PBUK17



www.strongtie.co.uk



Introducing our **Column Caps and Post Bases** from Simpson Strong-Tie®

Featuring a range of adjustable, concealed and heavy duty options - performance tested and available from stock, as well as a selection of caps and bases that can be made to order - exactly to your specification.



01827 255600 | www.strongtie.co.uk

Column Caps and Post Bases

CPT Concealed Post Base

The new CPT concealed post base provides a clean, concealed look while providing a 25mm standoff height above concrete. The 25mm standoff reduces the potential for decay at the post end.

The CPT can be fixed to concrete base with either M12 chemical or mechanical anchors (sold separately).

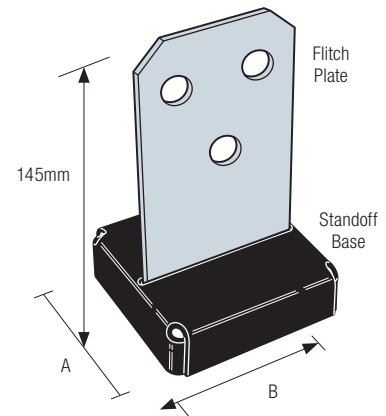
Material:

Fitch plate, washers and standoff base are pre-galvanised steel. The standoff base has an additional textured, flat black powder coat finish for aesthetic purposes. The 12mm diameter dowels are mechanically galvanised.

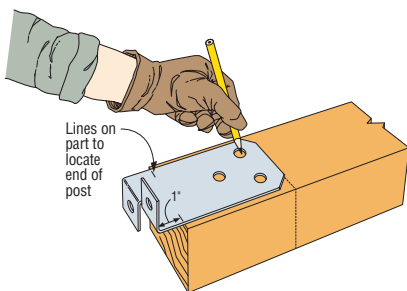


CPT Item Codes

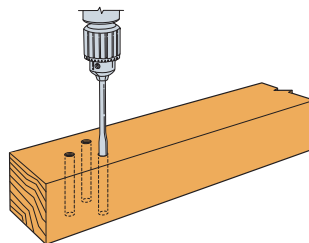
Model No.	Timber Post Size (mm)	Connector Dimensions (mm)		Fasteners				Characteristic Capacities (kN)			
		A (mm)	B (mm)	Qty	Anchor Diameter	Qty	Post Dowels Specification	Uplift F ₁	Download F ₂	Lateral F ₃ =F ₄	Lateral F ₅ =F ₆
CPT44Z	89 x 89 to 100 x 100	89	89	2	M12	3	Ø12 x 70	11.20	59.40	3.90	7.30
CPT66Z	133 x 133 to 150 x 150	133	133	2	M12	3	Ø12 x 70	16.30	91.20	3.90	9.10
CPT88Z	184 x 184 to 203 x 203	184	184	2	M12	3	Ø12 x 70	16.30	123.10	3.90	9.10



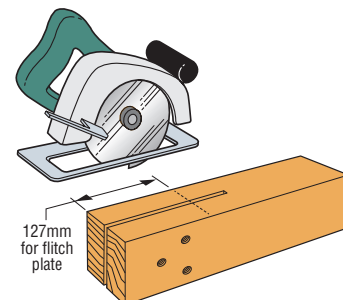
CPT Installation



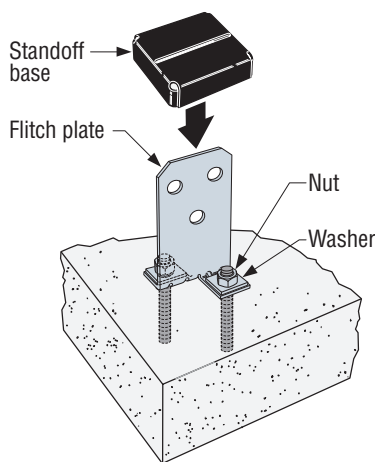
Step 1: Use the fitch plate as a template to mark dowel locations.



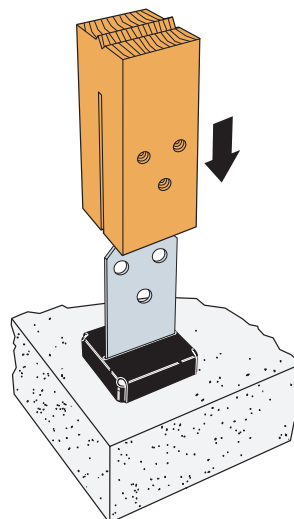
Step 2: Drill 13mm holes perpendicular to the post at marked locations.



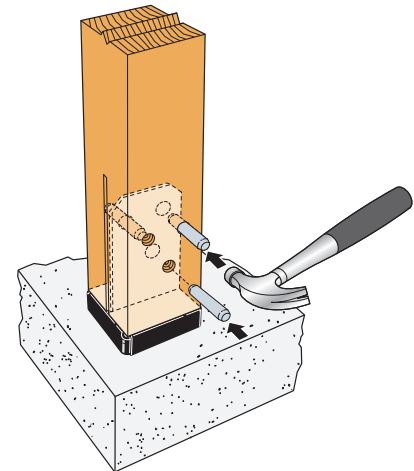
Step 3: Cut a 5mm wide slot on the side adjacent the drilled holes. Check that the fitch plate slides freely.



Step 4: Fix down the fitch plate to concrete foundation and lower the standoff over the fitch plate.



Step 5: Lower the post onto the fitch plate with the drilled holes aligned with the three holes in the fitch plate. Be careful to avoid rotating the post during installation.



Step 6: Drive the dowels into the post. They should be roughly centred within the post.

Column Caps and Post Bases

ABW Adjustable Post Base with Stand Off

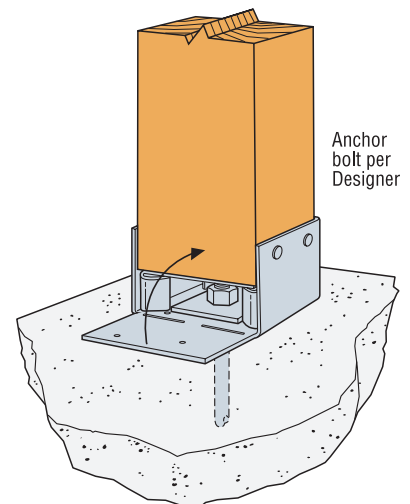
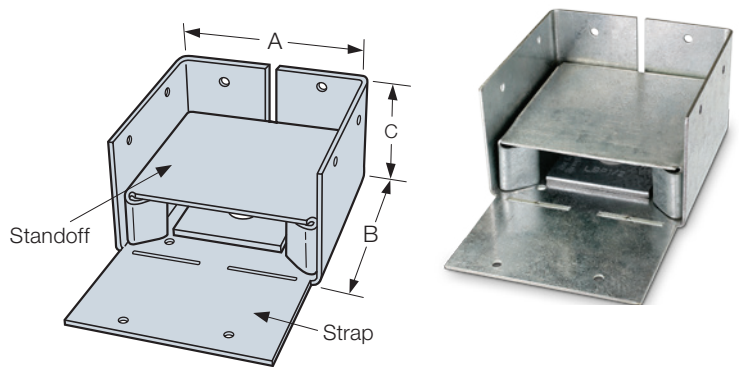
Designed for versatility, cost effectiveness, the ABW is a retrofit adjustable post base with a 25mm standoff for the post to help prevent moisture induced decay to the timber post.

- Slot in the base enables flexible positioning around the anchor bolt.
- Attach to anchor bolt after concrete is poured, or after the concrete is set with chemical or mechanical anchors.

Material: Pre-galvanised mild steel.

Installation:

- Place the base washer and nut on the anchor bolt, loosely fasten the nut.
- Place the stand off base and then the post in the ABW and fasten on three vertical sides.
- Make any necessary adjustments to post placements and tighten the nut anchor securely.
- Bend up the fourth side of the ABW and fasten.
- Not recommended when the top of post/column is not restrained (e.g. fence post).



Model No.	Post Size (mm)	Material (mm)		Dimensions		Fasteners		Characteristic Capacities (kN)	
						Anchor Dia.	Post Nails		
		Stand-Off	Strap	A	B			Download	Uplift
ABW44Z	89 x 89	1.5	1.5	90	90	14	8 (1)	53.90	3.10
ABW44RZ	100 x	1.5	1.5	103	103	14	8 (1)	58.20	-
ABW66Z	133 x	2.5	2.0	138	141	16	12 (2)	105.90	7.40
ABR66RZ	150 x	2.5	2.0	152	152	16	12 (2)	110.40	6.60

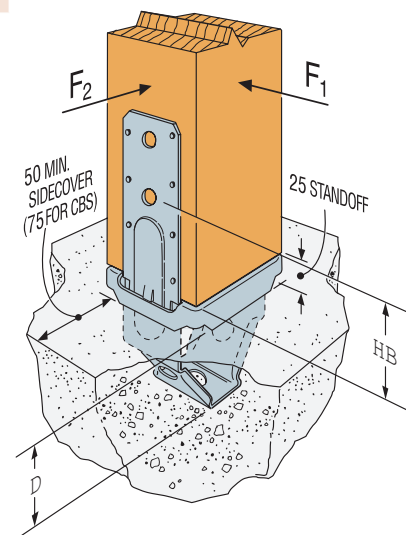
1. 3.75 x 75mm round wire nails.
2. 4.0 x 90mm nails.

PBS Post Base with Stand Off

The PBS post base is installed into wet concrete and features a 25mm standoff to help prevent moisture induced decay to the timber post.

Material: Pre-galvanised mid steel.

Installation: Embed into wet concrete up to the bottom of the 25mm standoff base.



Model No.	Post Size (mm)	Material (mm)		Dimensions			Fasteners			Safe Working Loads (kN)						Characteristic Capacity (kN) (C24)		
							Post ⁽¹⁾		Short Term Uplift		Short Term F ₁		Short Term F ₂		Long Term Down			
		Base	Strap	W ₁	W ₂	D	Nails	Bolts		Nails	Bolts	Nails	Bolts					
								Qty	Dia.					Nails	Bolts	Nails	Bolts	
PBS44A	89 x 89	2.5	2.0	90	89	89	14 (2)	2	14	10.68	6.96	5.18	1.02	3.94	3.94	29.65	16.0	54.5

1. Use nails or bolts.
2. 3.75 x 75mm round wire nails.
3. Up = Uplift.
4. Down = Download.

Column Caps and Post Bases

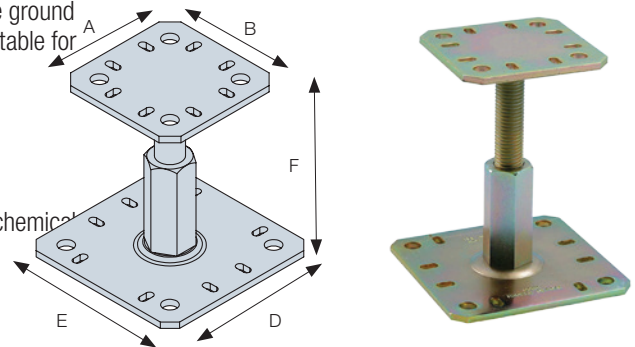
PPRC Adjustable Post Base

Allow structure to be adjusted after it has been built. Adjust the off the ground height from 100 to 150mm even after the post has been installed. Suitable for post sizes 100 x 100mm to 200 x 200mm.

Material: 5mm dichromate coated steel.

Installation:

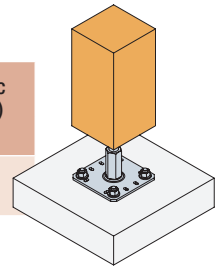
- Fix to the foundation with concrete screw/mechanical anchor or chemical anchor system. Fix to the post using M10 coach screws.
- 130 x 130mm plate fixes to the ground.
- 100 x 100mm plate fastens to the post.
- Always install bases in the same direction.
- PPRC can be adjusted with a 30mm wrench after both plates are attached.



PPRC Performance Values

Model No.	Dimensions (mm)					Material Thickness (mm)	Finish	Hole Sizes	Characteristic Capacity (kN) Download
	A	B	D	E	F				
PPRC	100	100	130	130	100 - 150	5	BC	8 x Ø12 Holes 16 x Ø16 x12 Slots	48.8

BC - Dichromate coating according to BS EN ISO 2081



PPA Elevated Post Base with 100mm Stand Off*

For post base installations requiring a higher standoff distance. Suitable for post sizes 100 x 100mm to 200 x 200mm.

Material: 4mm pre-galvanised mild steel.

Installation: Fix to the foundation with concrete screw/mechanical anchor or chemical anchor system. Fix to the post using M10 coach screws.

PPA Performance Values

Model No.	Dimensions (mm)					Bolts (Total)		Characteristic Capacity (kN) C24 Download
	A	B	D	E	F	Qty	Dia.	
PPA100	100	100	130	130	100	8	12	55.9



APB Adjustable Elevated Post Base*

APB features a post mounting plate on a screw allowing it to be adjusted to a specific standoff height ranging from 100-150mm.

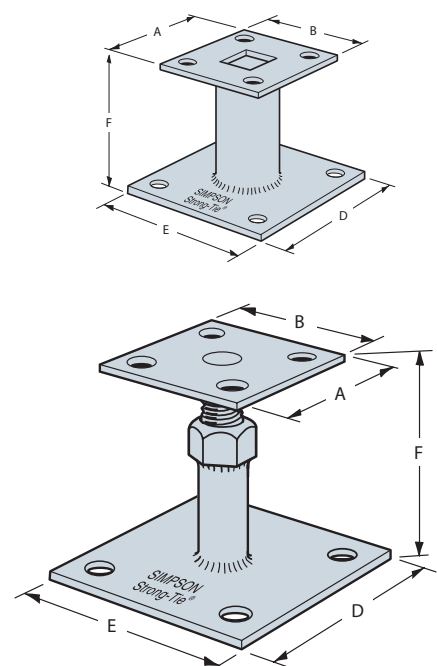
Suitable for post sizes 100 x 100mm to 200 x 200mm.

Material: 4mm pre-galvanised mild steel.

Installation: Fix to the foundation with concrete screw/mechanical anchor or chemical anchor system. Fix to the post using M10 coach screws.

APB Performance Values

Model No.	Dimensions (mm)					Bolts (Total)		Characteristic Capacity (kN) C24 Download
	A	B	D	E	F	Qty	Dia.	
APB100/150	100	100	130	130	100-150	8	12	45.0



Column Caps and Post Bases

PBH Heavy Duty Elevated Post Base

The PBH is suitable for heavy duty post support applications including Glulam timber posts with a standoff height of 200mm. Dowels included.

PBH75 suitable for posts 75 x 75mm to 120 x 120mm.

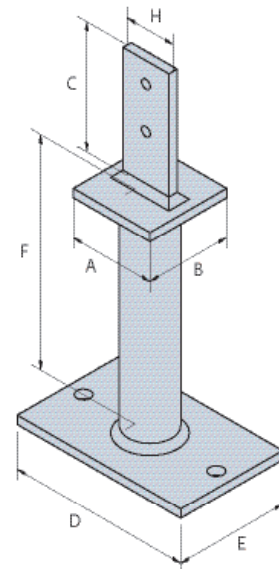
PBH120 suitable for posts 120 x 120mm to 200 x 200mm.

Material: 8mm hot-dip galvanised mild steel plate.

Installation: Fix to the foundation with concrete screw/mechanical anchor or chemical anchor system (order separately).

PBH Item Codes

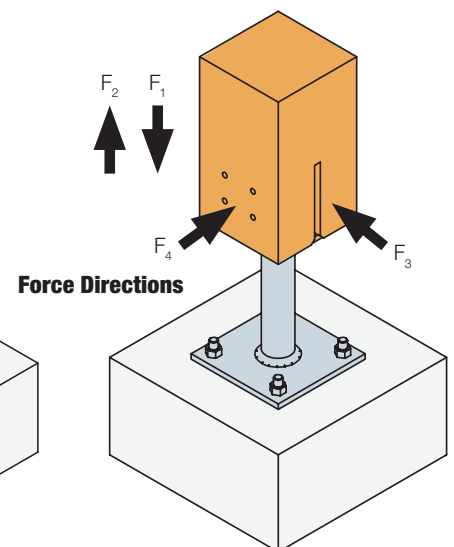
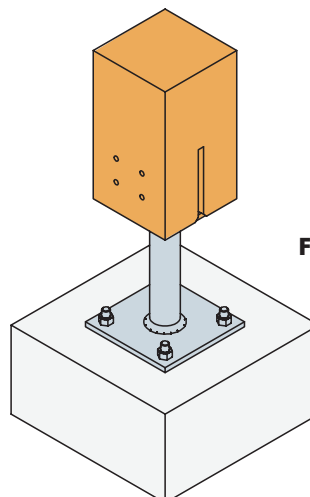
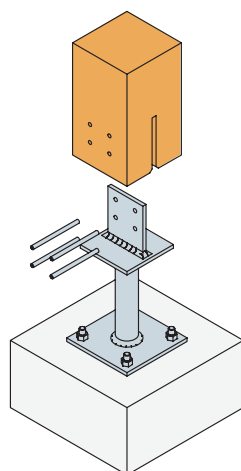
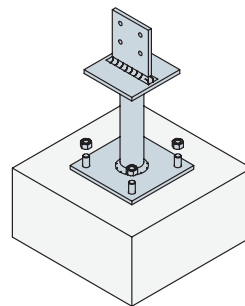
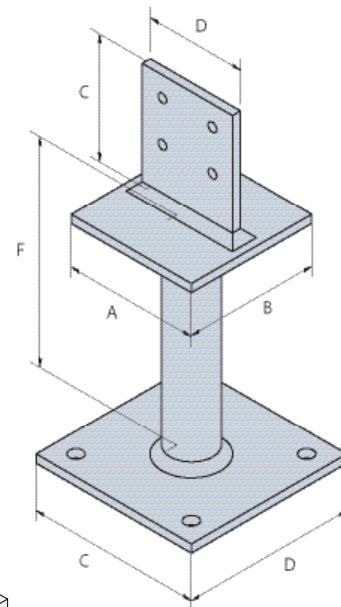
Model No.	Dimensions (mm)				Bolts Base				Dowels Post		
	Top Plate		Lower Plate		C	H	F	Qty	Dia. (mm)	Qty	Size (mm)
	A	B	D	E							
PBH75	75	75	100	160	110	45	200	2	13	2	ø8.5 x 80
PBH120	120	120	155	155	110	90	200	4	13	4	ø8.5 x 120



PBH75

PBH Performance Values

Model No.	Characteristic Loads (kN)							
	Download (F ₁)		Uplift (F ₂)		Lateral (F ₃)		Lateral (F ₄)	
	Timber	Steel	Timber	Steel	Timber	Steel	Timber	Steel
PBH75	170.00	109.00	7.80	8.60	5.30	3.90	5.30	3.80
PBH120	219.00	109.00	20.70	22.80	7.70	3.90	7.60	3.80



Column Caps and Post Bases

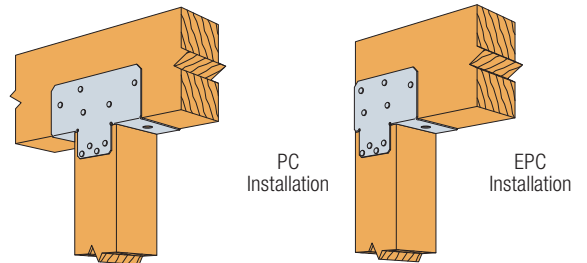
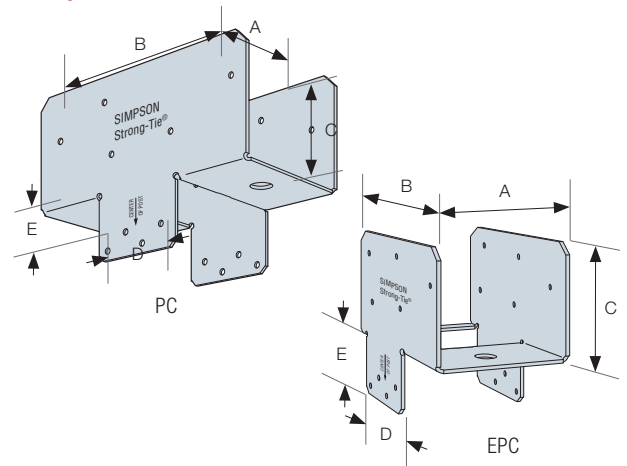
PC Post Cap and EPC End Post Cap

Specially produced connectors for post to beam connections. The PC extension side plates function as tie straps where splices occur. EPC option should be used where the beam ends at the post.

Material: Pre-galvanised mild steel.

PC/EPC Item Codes and Performance Values

Model No.	Dimensions (mm)					Post Size (mm)	Fasteners (3.75 x 75mm)		SWL (kN)	
	A	B	C	D	E		Surfaces		Short Term	
							Post	Beam	Uplift	Lateral
PC4Z	90	178	76	67	41	89 X 89	8	10	6.58	5.60
						89 X 140			6.58	5.60
						89 x 185			6.58	6.14
EPC4Z	90	133	76	67	41	89 x 89	8	10	5.02	4.78
						89 x 140			5.02	5.47
						89 x 185			5.02	5.47



CC Column Cap (made to order)

Columns made to order for standard timber or engineered wood sizes. Bolts available separately. Contact Simpson Strong-Tie® for details. Specify dimensions as detailed in the table below.

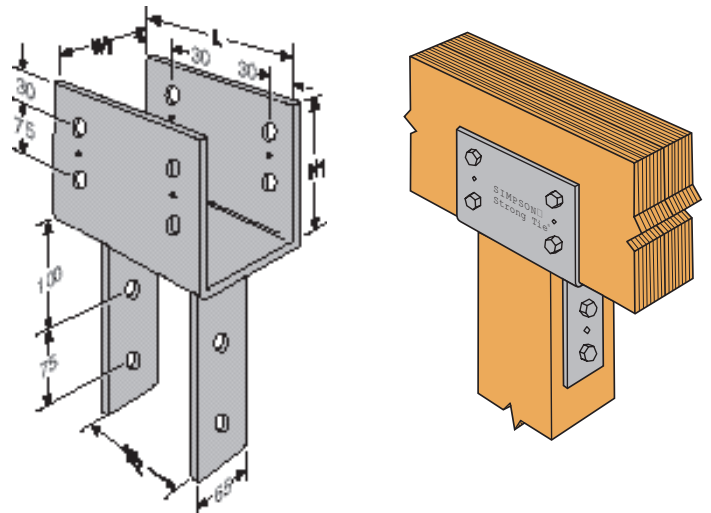
Material: 5mm mild steel.

Installation: use 16mm bolts.

CC Dimension Ranges

Dimensions (mm)	Range (mm)	
	Minimum	Maximum
W ₁	75	225
W ₂	75	250
H ₁	100	200
L	280	

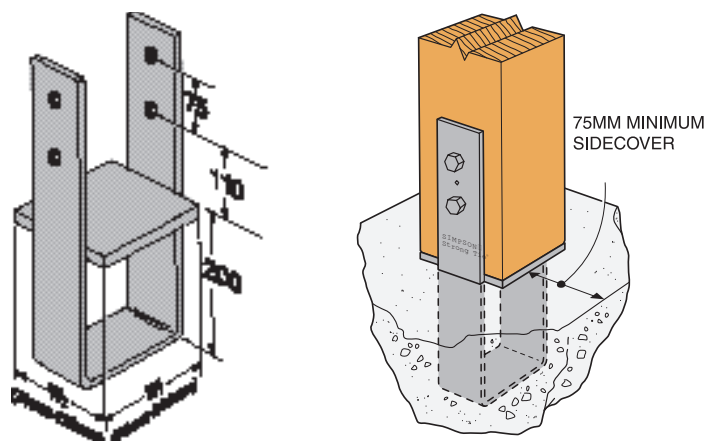
See column cap specification order form on next page.



CB Post Base (made to order)

CB post base for pre-pour concrete applications. This item is not CE marked.

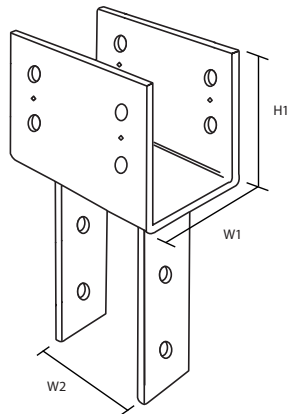
Material: 5.0mm mild steel, hot dip galvanised.



Column Caps and Post Bases

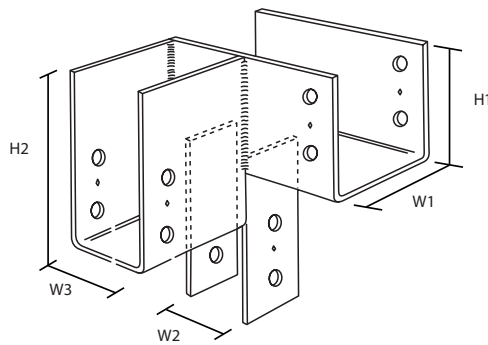
From I Company:		
Tel:	Fax:	Date:
Make a note of the dimensions on the relevant diagram below and fax to: 01827 255616 Please refer to minimum and maximum dimension ranges on opposite page.		

SPEC CC

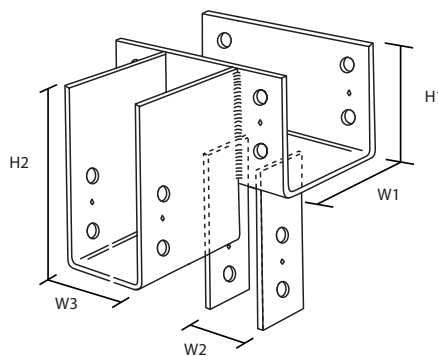


SPEC ECCLR

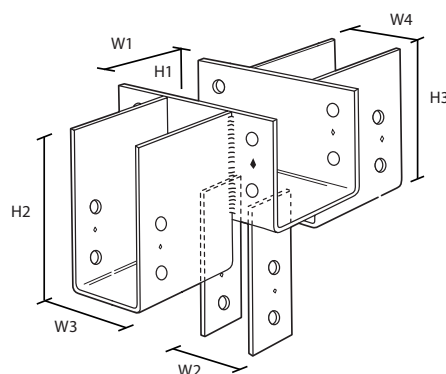
ECCLR = opposite hand.



SPEC CCT



SPEC CCC



Information



Visit us at: **www.strongtie.co.uk**

@StrongtieUK



For product Information, 3D Cad Models, Installation Videos, DoP documentation and much more, visit our website at www.strongtie.co.uk. For the latest updates and industry news, follow us on twitter @strongtieUK or at [facebook.com/strongtieUK](https://www.facebook.com/strongtieUK).



Information

Quality Policy

We help people build safer structures economically. We do this by designing, engineering and manufacturing “No Equal” structural connectors and other related products that meet or exceed our customers’ needs and expectations.

Simpson Strong-Tie® is an ISO 9001 registered company. ISO 9001 is an internationally recognised quality management system standard, which lets our customers know that they can count on the consistent quality of Simpson Strong-Tie’s products and services.

Everyone is responsible for product quality and is committed to ensuring the effectiveness of the Quality Management System.



FM14704

Karen Colonias
Chief Executive Officer

Environmental Health and Safety Policy

Simpson Strong-Tie® continues to look for ways to build safer and stronger homes while being mindful of how we can help protect the environment and the health and safety of our employees. We are committed to environmental management, including health, safety and ecological protection.

Simpson Strong-Tie® is accredited to the internationally recognised standards for environmental health & safety management systems.



EMS517722



OHS57006



Testing Laboratory Accreditation

Our European Test Laboratory located in Tamworth, Staffordshire is the first manufacturer’s facility to achieve third party accreditation to the international standard BS EN ISO/IEC 17025.

Simpson Strong-Tie® Connectors



There is no equal.

Every Simpson Strong-Tie® connector is designed and tested to give superior strength and performance, as well as to include features that help to build better safer structures, faster and easier.

Think you should accept an equivalent? **There is no equal.**

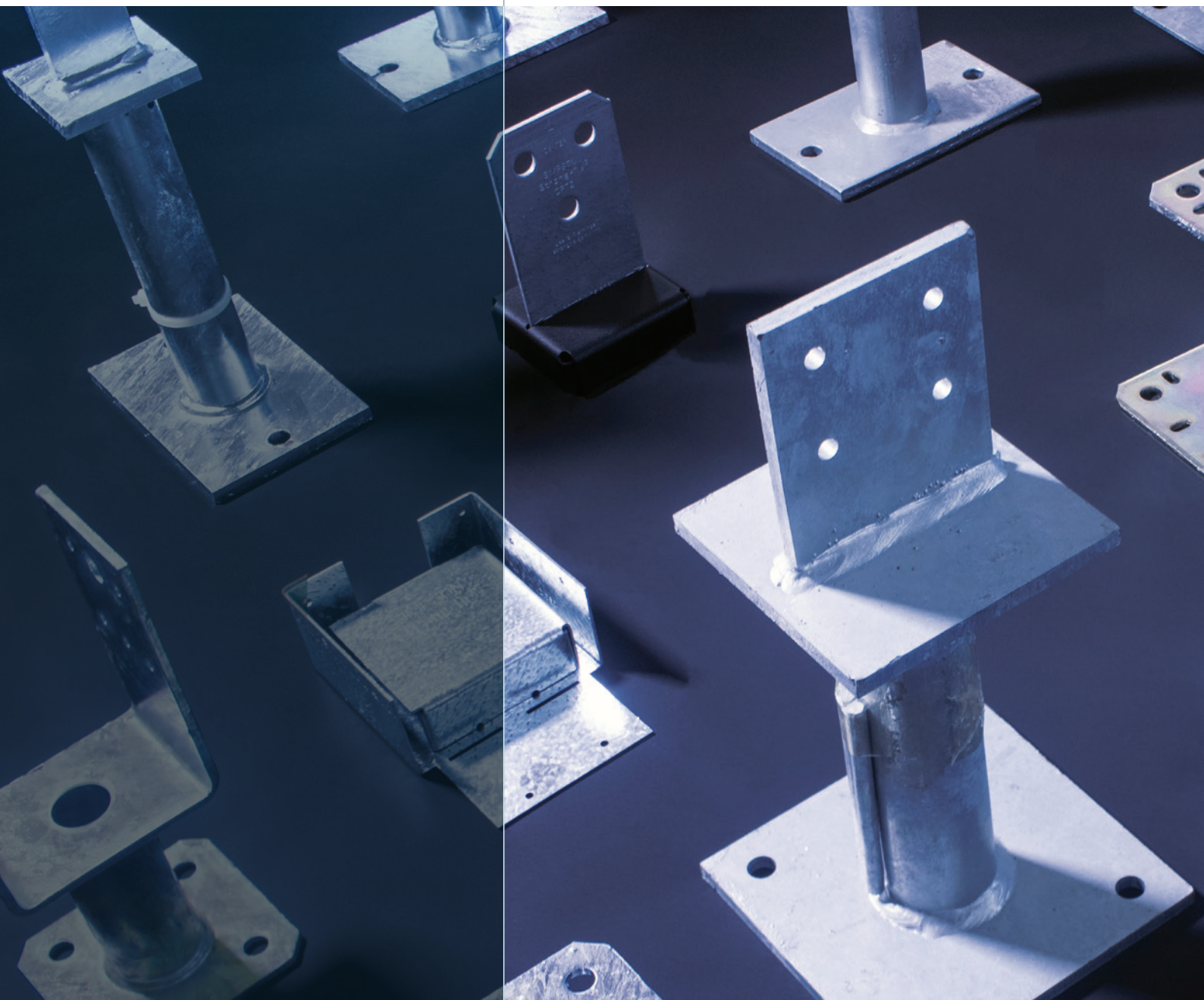




SIMPSON

Strong-Tie

®



Simpson Strong-Tie®

Cardinal Point
Winchester Road
Tamworth
Staffordshire
B78 3HG

Tel: +44(0)1827 255600

Visit: www.strongtie.co.uk
Twitter: [strongtieUK](https://twitter.com/strongtieUK)
Facebook: [simpsonstrongtieUK](https://facebook.com/simpsonstrongtieUK)

