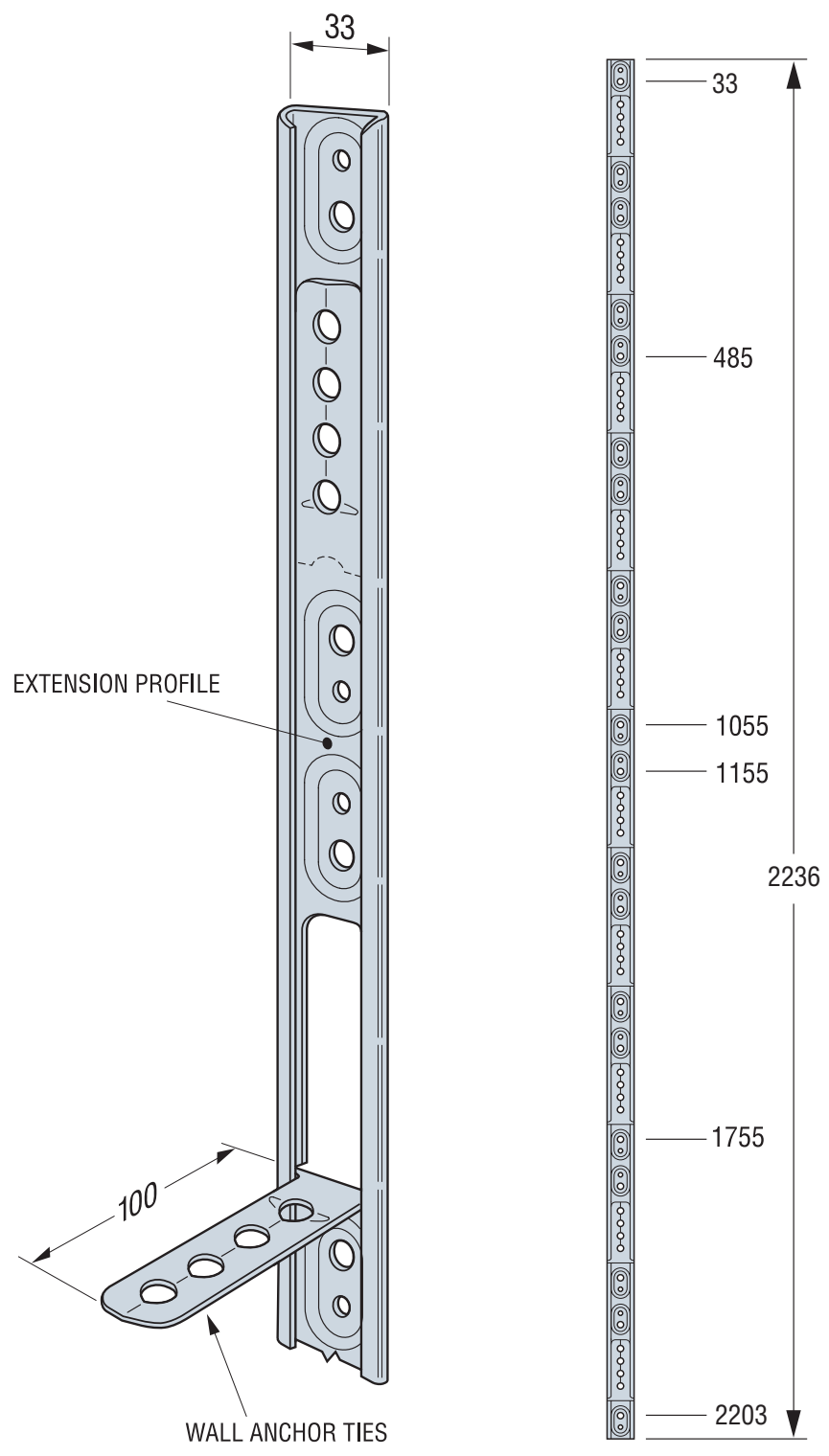
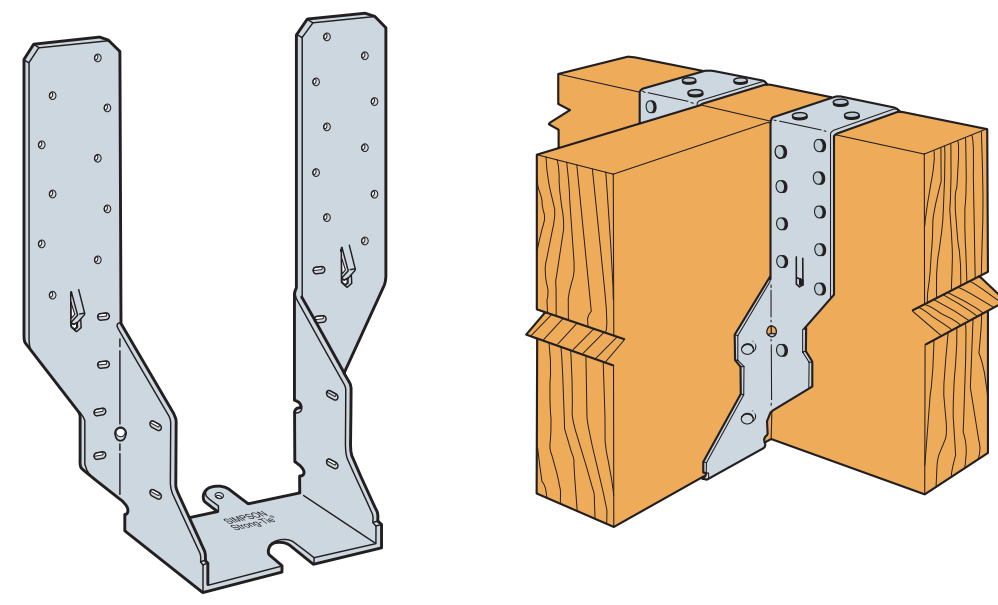


Crocodile Wall Starter with Snap Out Ties **C2K**



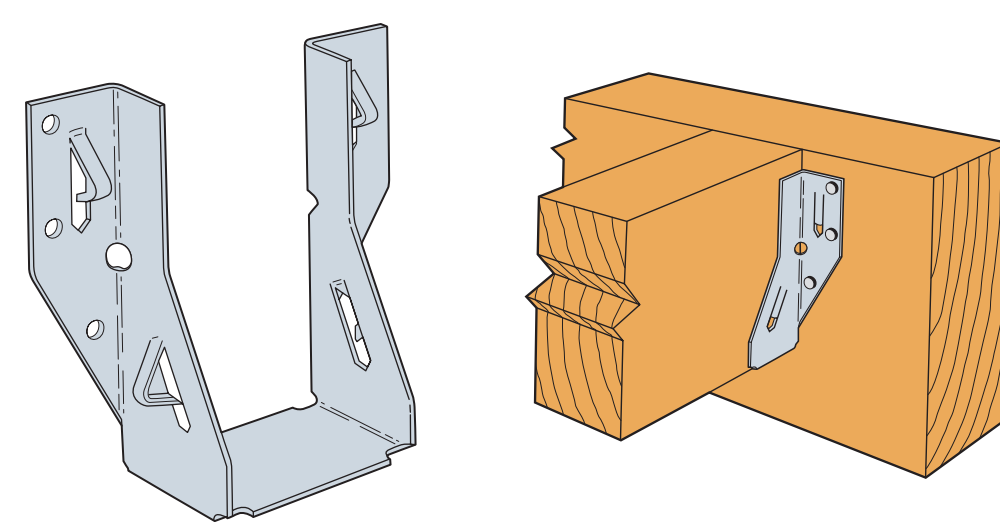
Available in stainless or galvanised steel, the C2K is the only wall starter with snap out ties built into a universal profile - for quick and accurate mortar alignment.

Timber Joist Hanger with Adjustable Height Strap **JHA**



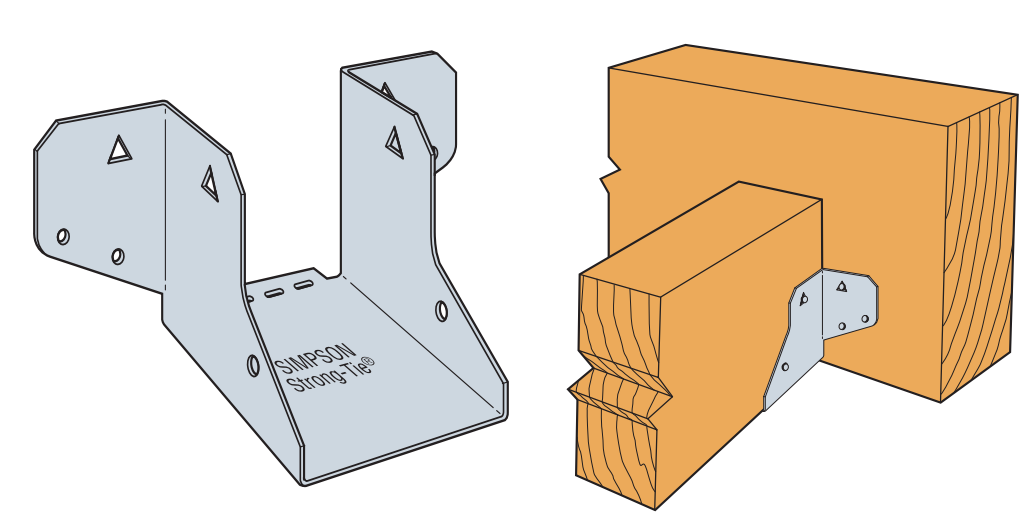
The JHA features "speed prongs" and a location tab to make installation even faster.

Light "U" Hanger with Speed Prongs **LUP**



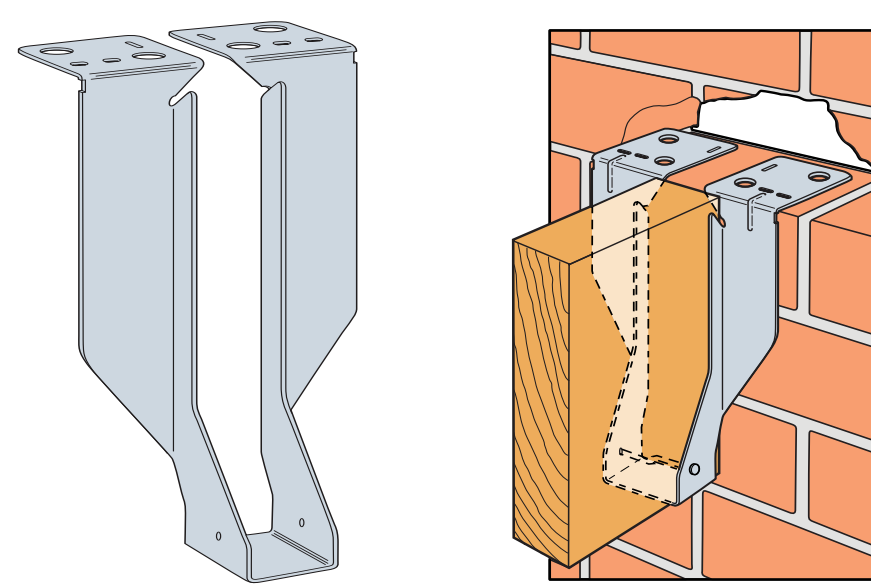
Suitable for use in light duty timber-to-timber applications, the LUP features "speed prongs".

Mini Hanger for Ceiling Joists and Trimmers **MH**



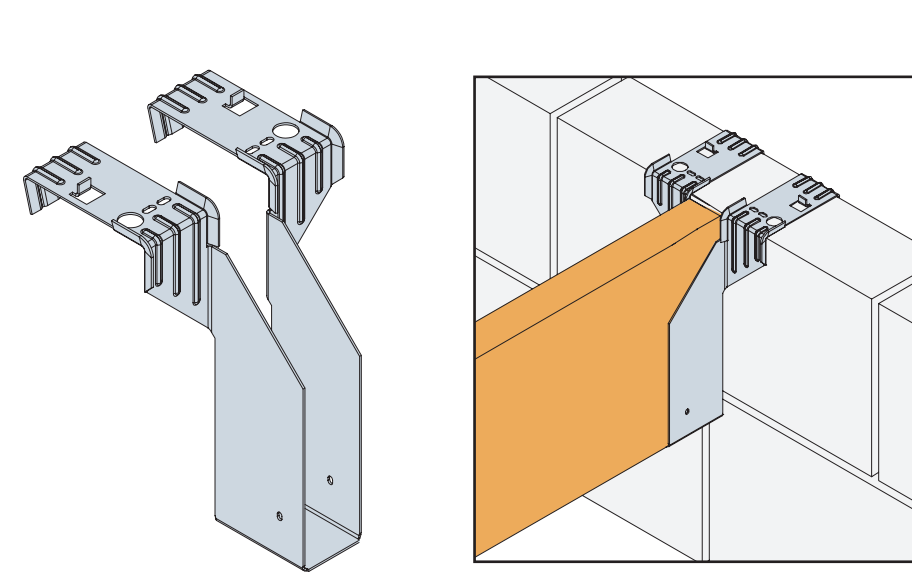
For light duty applications such as trimmers and rectangular section ceiling joists.

Timber to Masonry Joist Hanger **JHM**



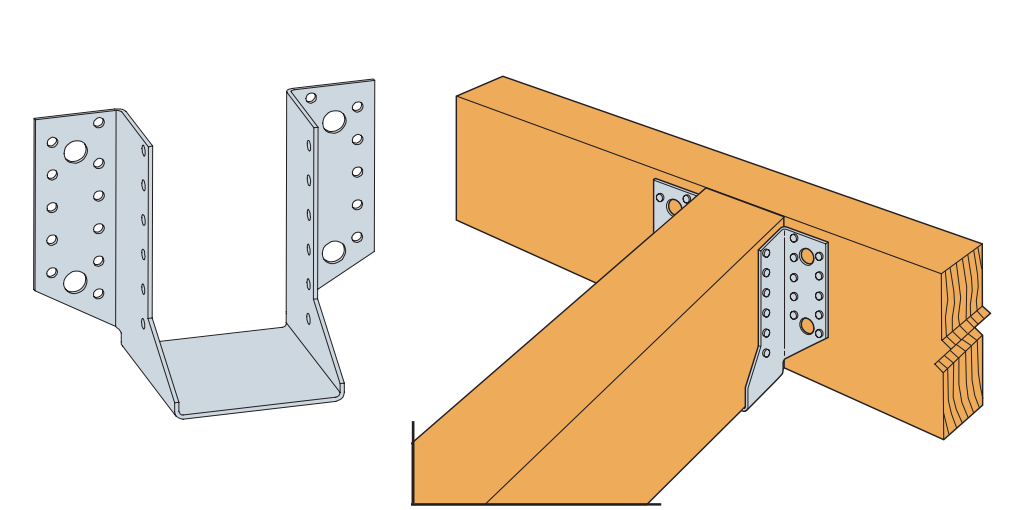
Supports timber joists, beams and rafters from masonry walls. Top flanges provide the widest area contact for superior performance.

Timber to Masonry Joist Hanger **SFLH**



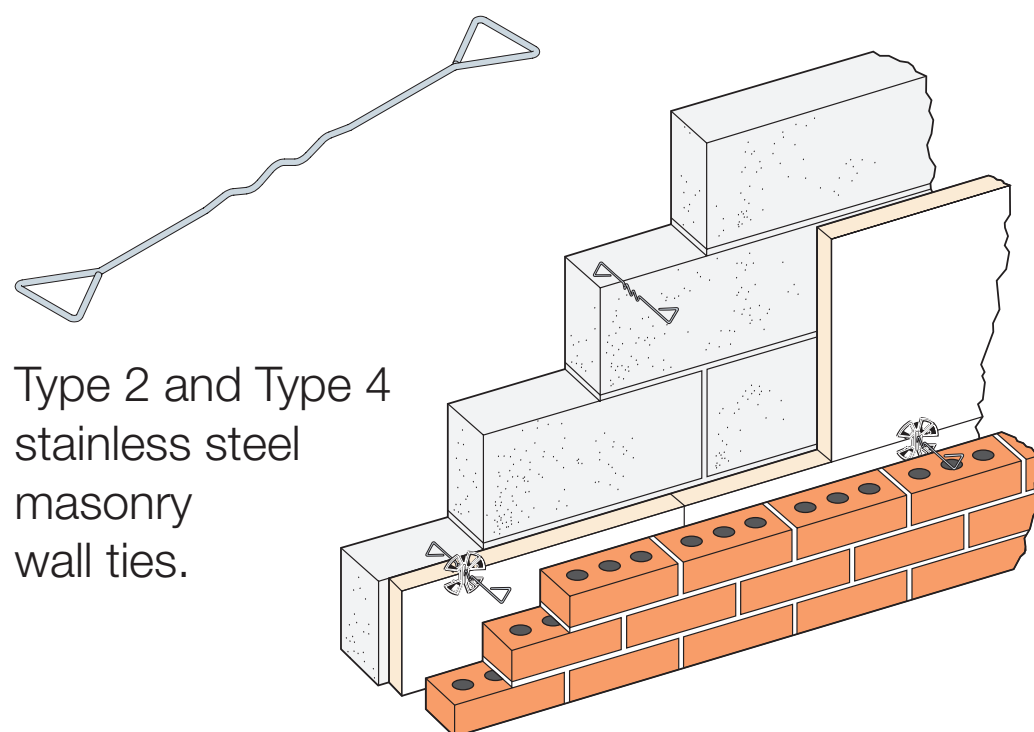
Support timber joists from masonry walls without the need for masonry above the course of block work supporting the hanger.

Face Fix Timber Hanger **SAE**



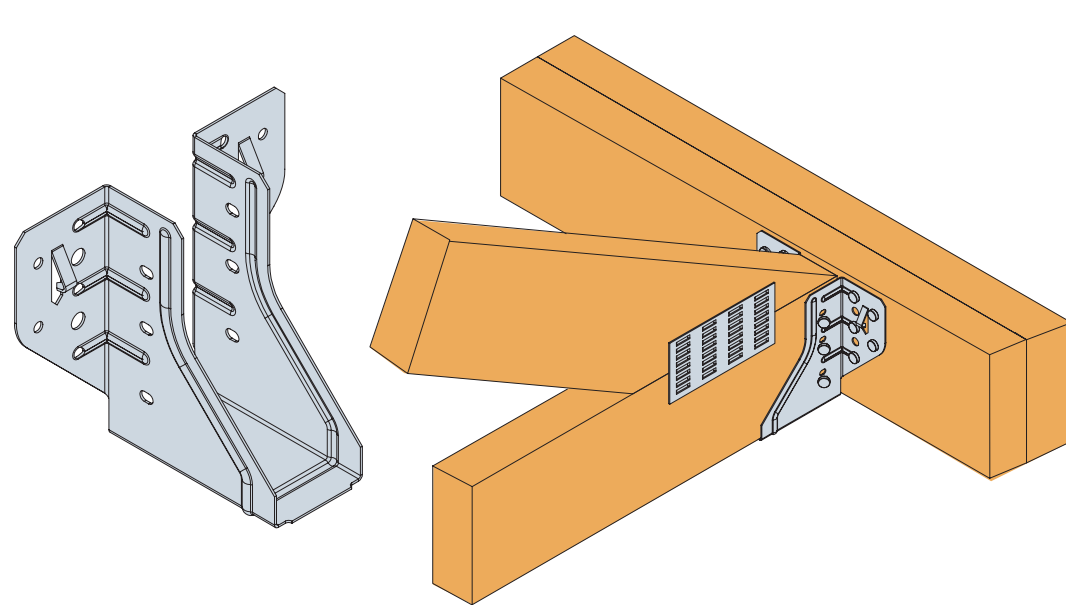
Heavy duty face fix hanger with bolt option for even greater performance requirements.

Masonry Wall Ties **WTS**



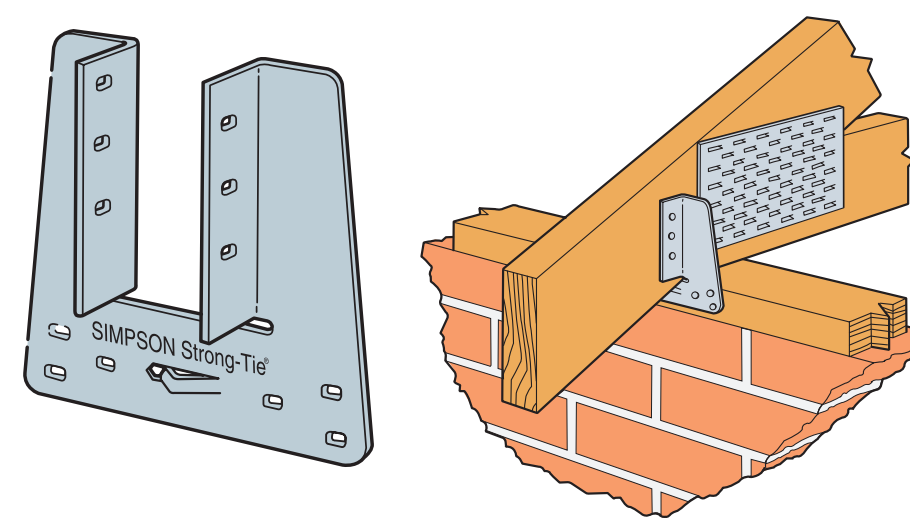
Type 2 and Type 4 stainless steel masonry wall ties.

Mono Truss Shoe Girder Hanger **THM**



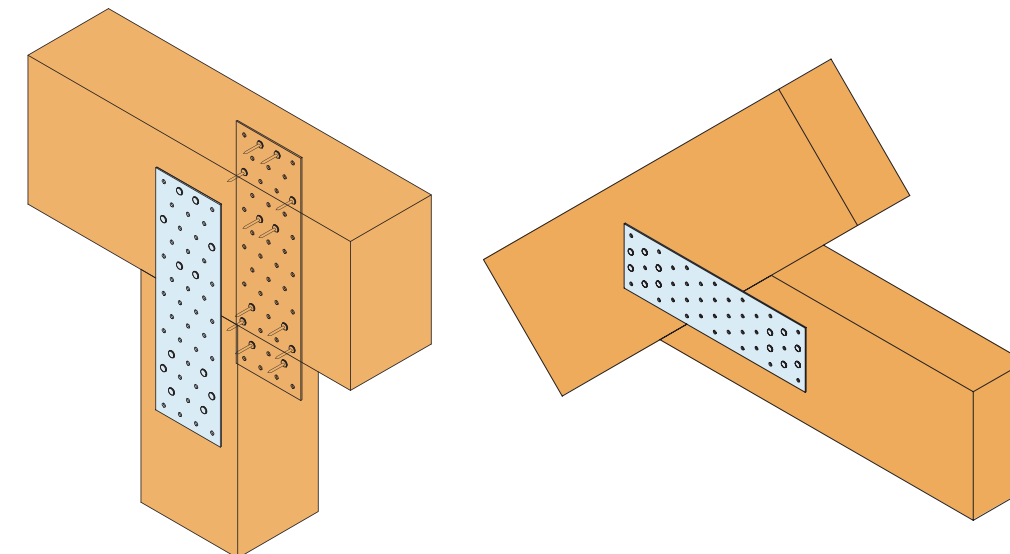
Truss hanger for supporting mono trusses from girder trusses.

Truss Clip with Speed Prong **TCP**



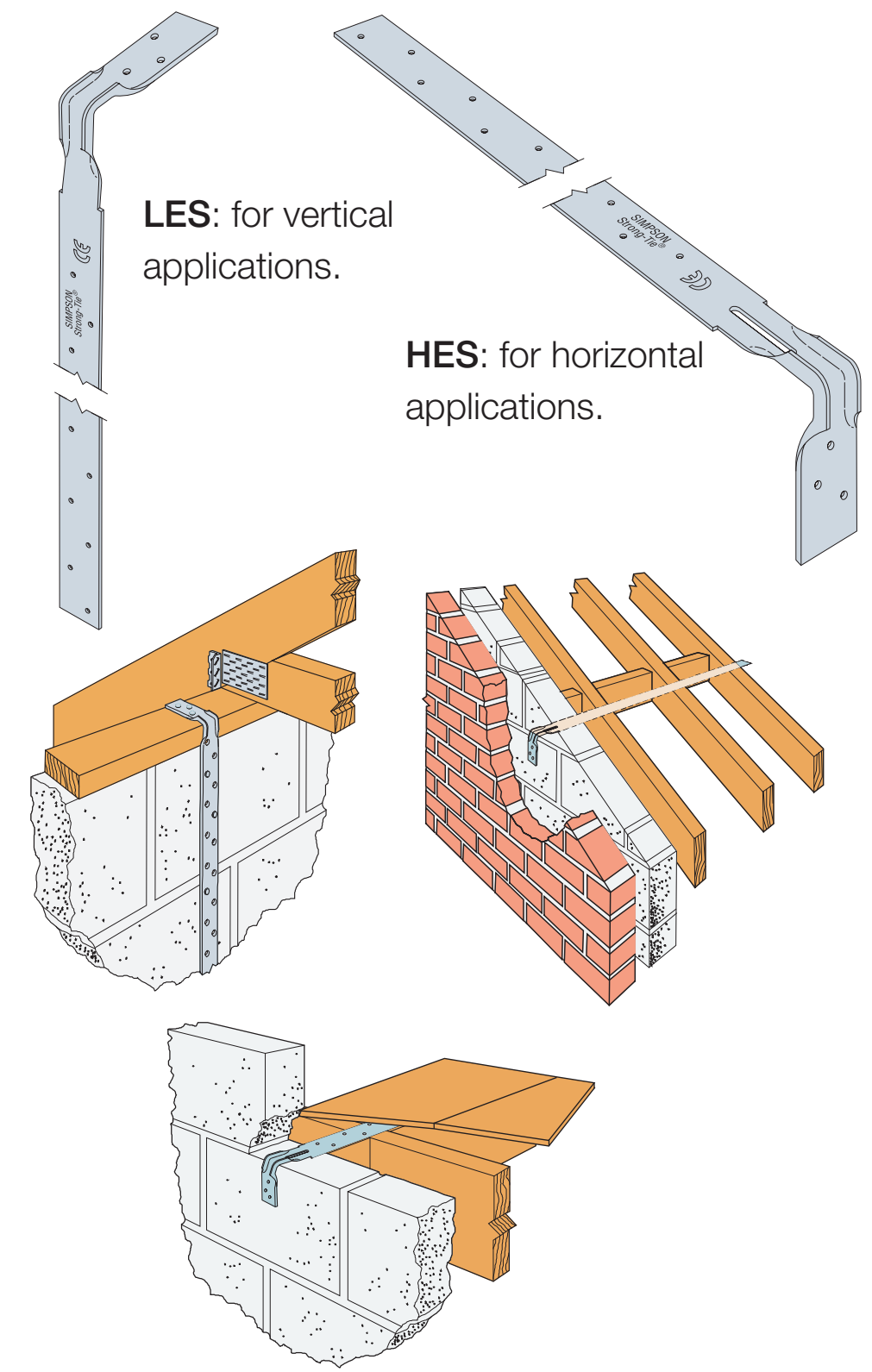
Attaches girders, trusses and rafters to wall plates to provide wind restraint. Features a "speed prong".

Nailing Plate for Connecting Timber **NP**



Flat nail plate used to connect two timber members together. NP is 1.5mm thick.

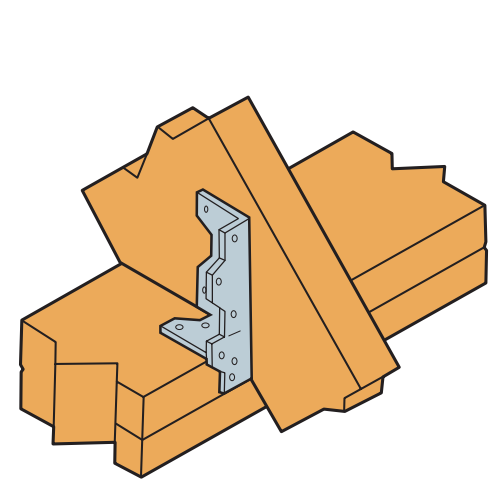
Heavy & Light Engineered Straps **HES & LES**



LES: for vertical applications.

HES: for horizontal applications.

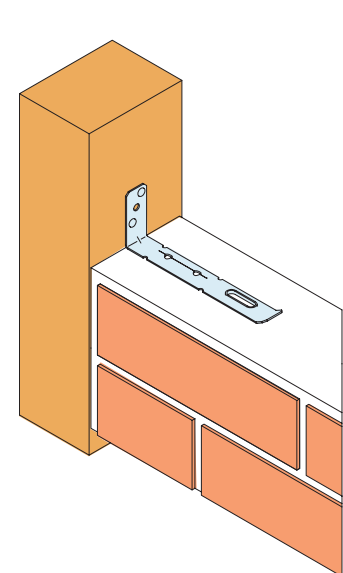
Universal Framing Anchor **A35**



Bending Slot allows instant and accurate bending on-site.

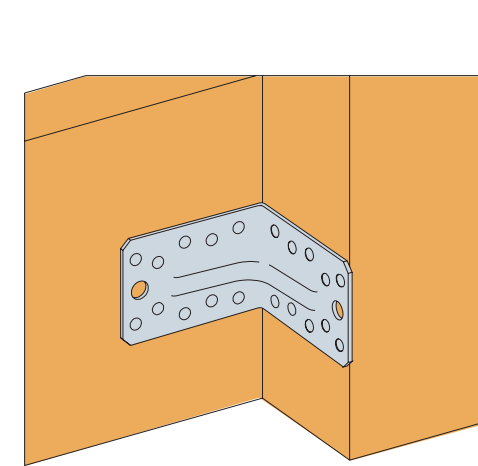
Completely reversible design.

Masonry Frame Tie **FT**



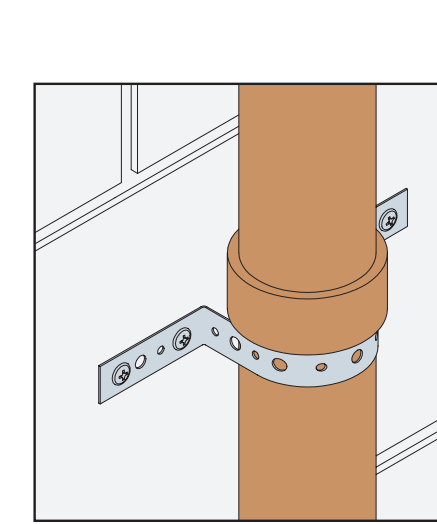
Provides enhanced mortar keying when fastening window and door frames to masonry.

Reinforced Angle Bracket **E**



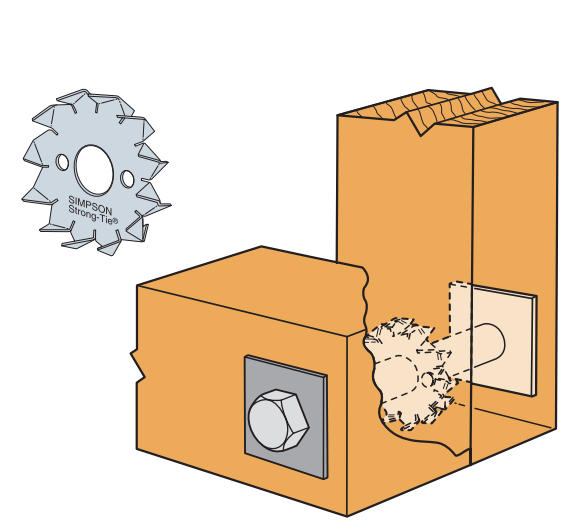
Heavy duty brackets for connecting timber at 90° angles. Features reinforced ribs for additional rigidity and strength.

Fixing Band (10m Roll) **FB**



Fixing band can easily be bent or twisted to suit many general light strapping needs. Available in galvanised and stainless steel.

Double Sided Timber Connector **DSTC**



Provides enhanced bolt performance in timber. Single sided version also available (SSTC).

Also available from Simpson Strong-Tie®



Stainless Steel Nails and Screws



Post Bases



Structural Screws



Mortar Resins and Mechanical Anchors



Plasterers Bead and Mesh

The CE marked HES and LES are just 1.5mm thick - which means they can be installed without notching joists. The engineering of the bend ensures they perform better than conventional 5mm straps and are easier to use.

