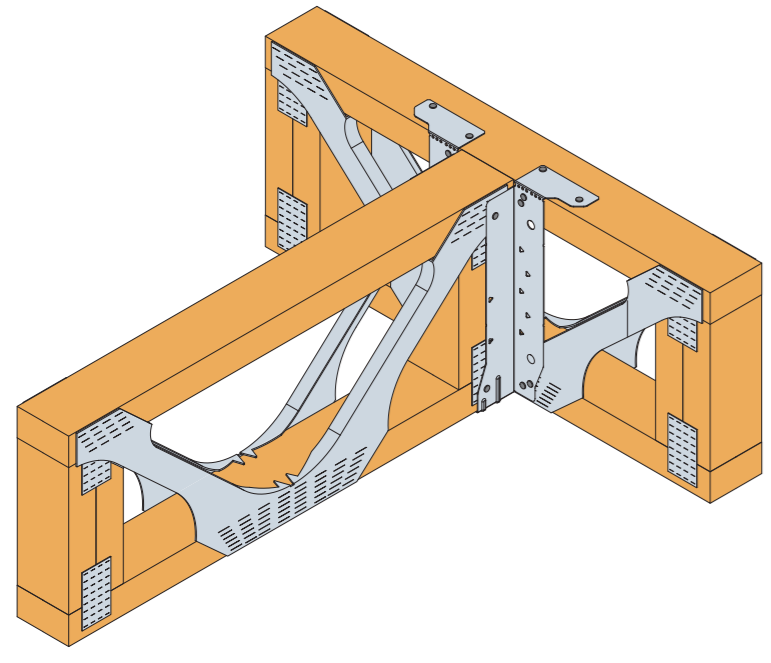


# METAL WEB JOIST CONNECTORS

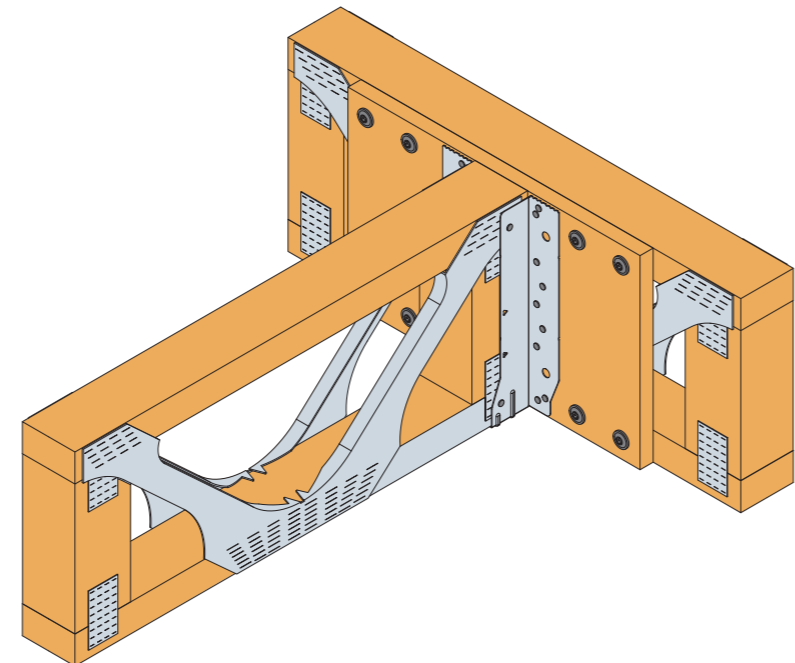


**Top Fix Engineered Wood Hanger** **EWH**



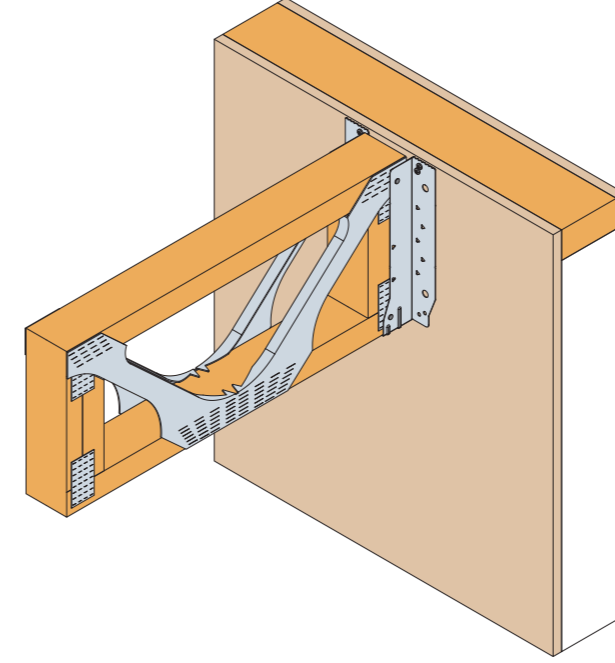
Eliminates the need for backer-blocks when supported from a metal web joist header.

**Face Fix Engineered Wood Hanger** **EWH/CSA**



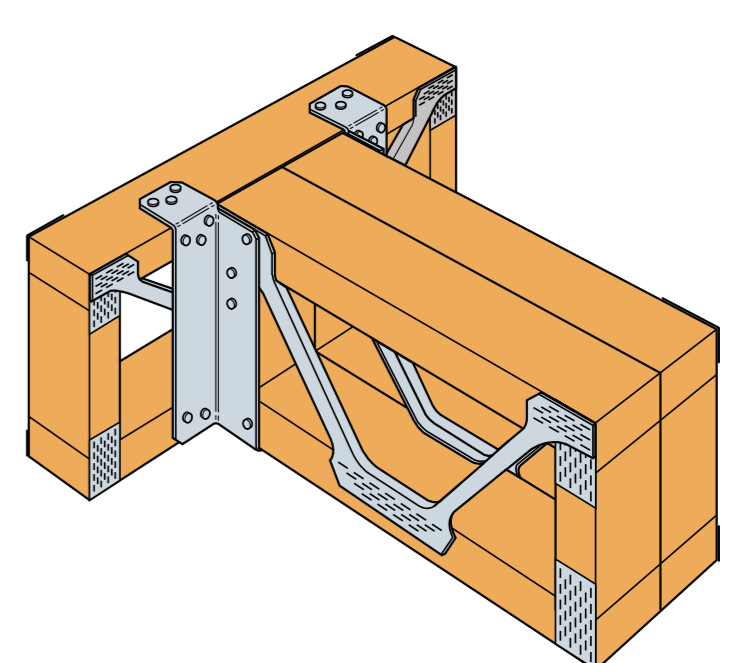
Enhanced performance using CSA screws.

**Face Fix Engineered Wood Hanger** **EWH/SIP**



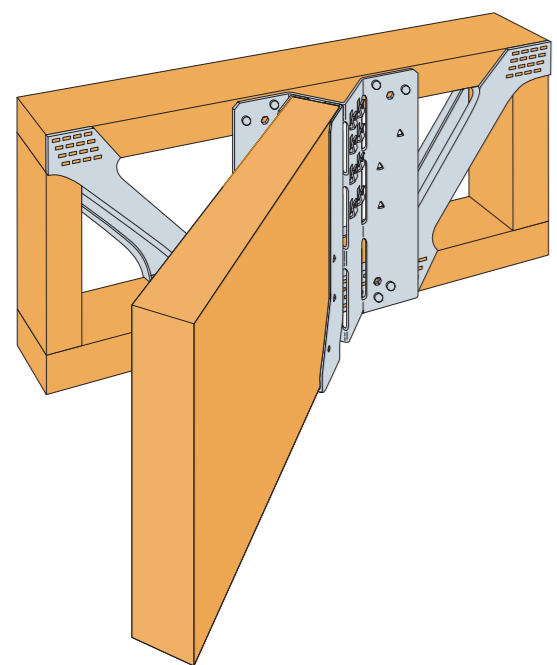
Install using CSA screws.

**Heavy Duty Engineered Wood Hanger** **HIUB**



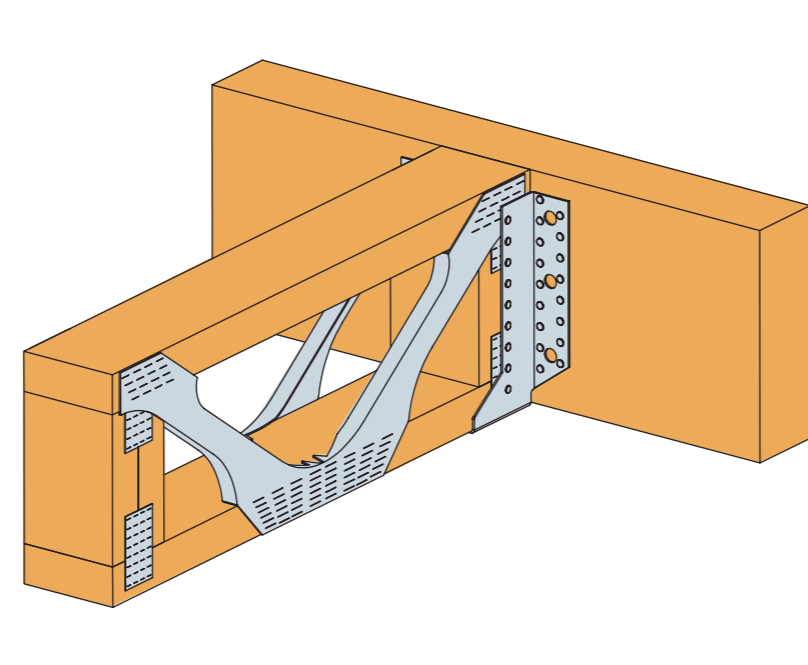
Heavy duty support for multiple metal web members and high load capacity applications.

**Adjustable Skew Joist Hanger** **IUBS**



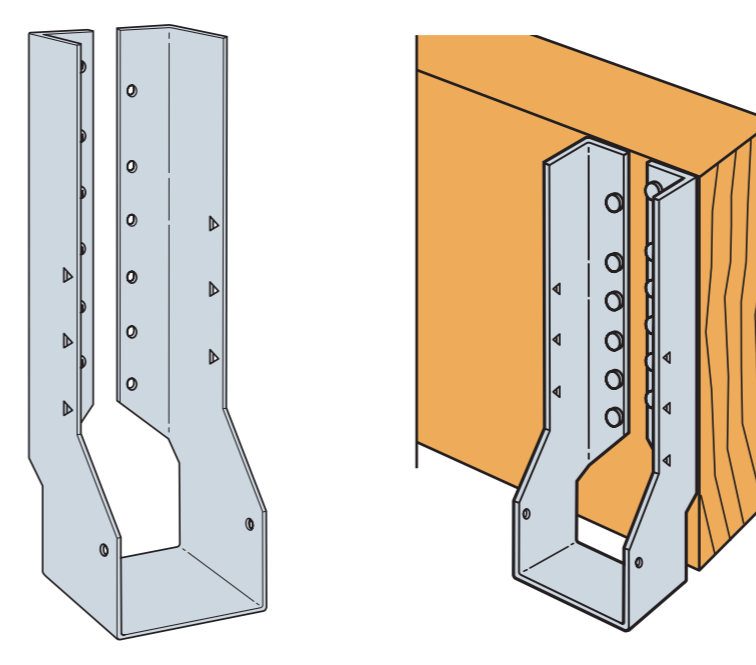
Site skewable metal web joist hanger. Can be skewed from 5° to 67° left or right.

**Face Fix Timber Joist Hanger** **SAE**



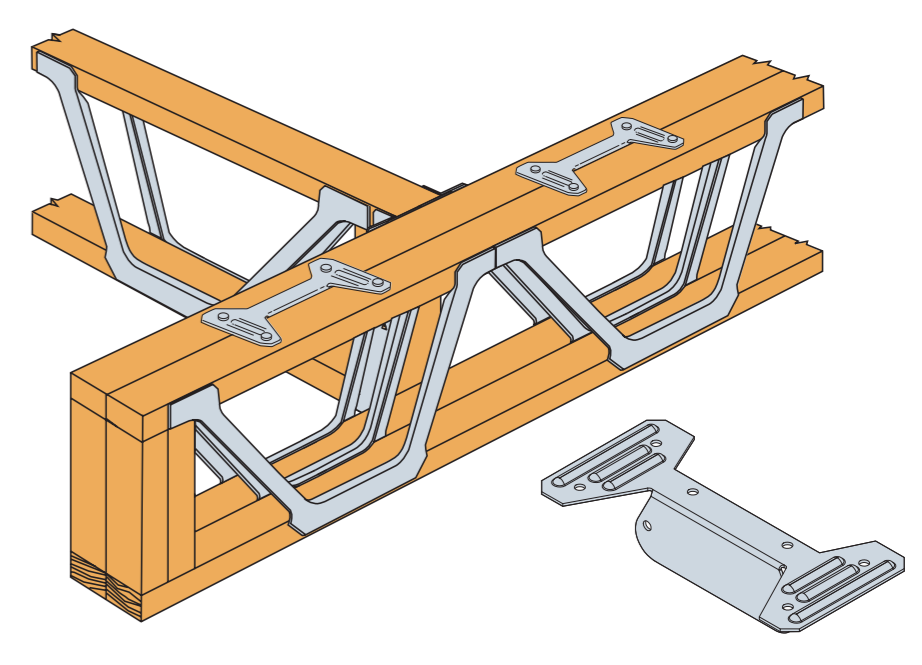
Heavy duty face fix hanger with bolt option for even greater performance requirements.

**Face Fix Concealed Flange Joist Hanger** **IUC**



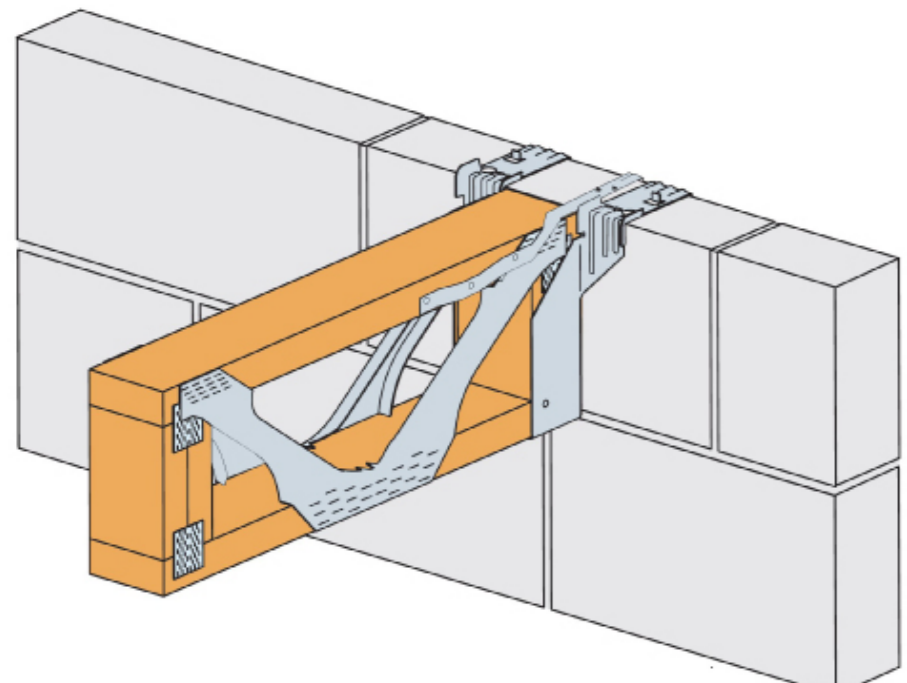
Concealed flange hanger suitable for corner details or where joists are close together.

**Multiple Joist Connector** **MJC**



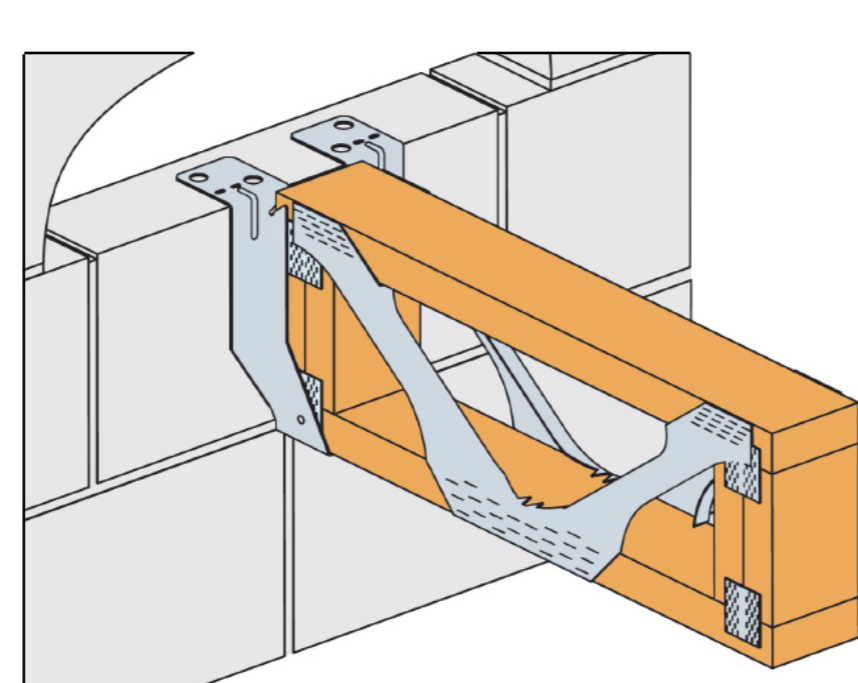
Connects two metal web joists together to act as a single unit.

**Safety Fast Lite Masonry Joist Hanger and FMS Strap** **SFLH/SFLHI**



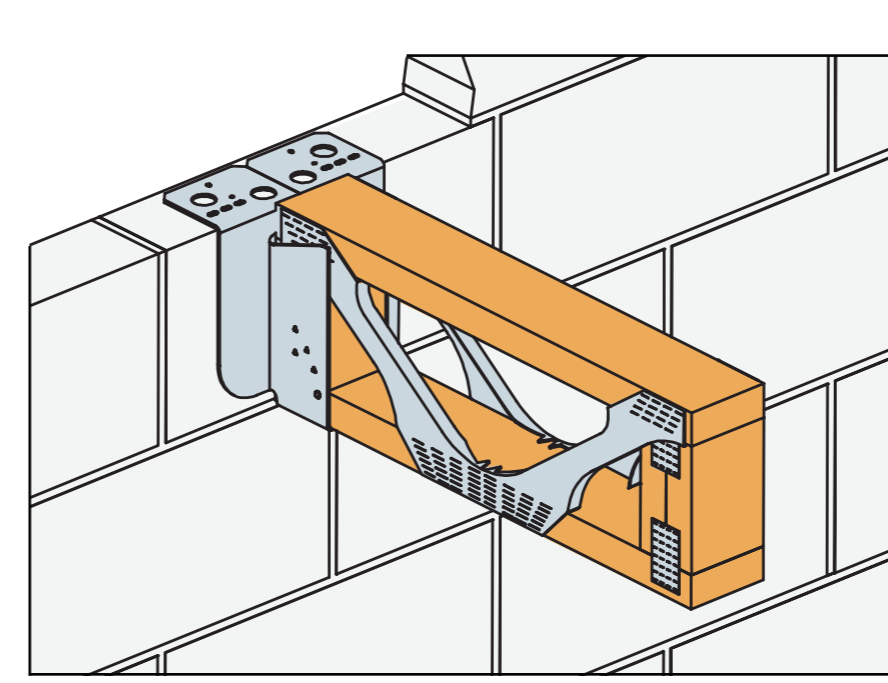
Supports joist and provide restraint without the need for 3 courses of blockwork.

**Masonry Joist Hanger** **JHM/JHMI**



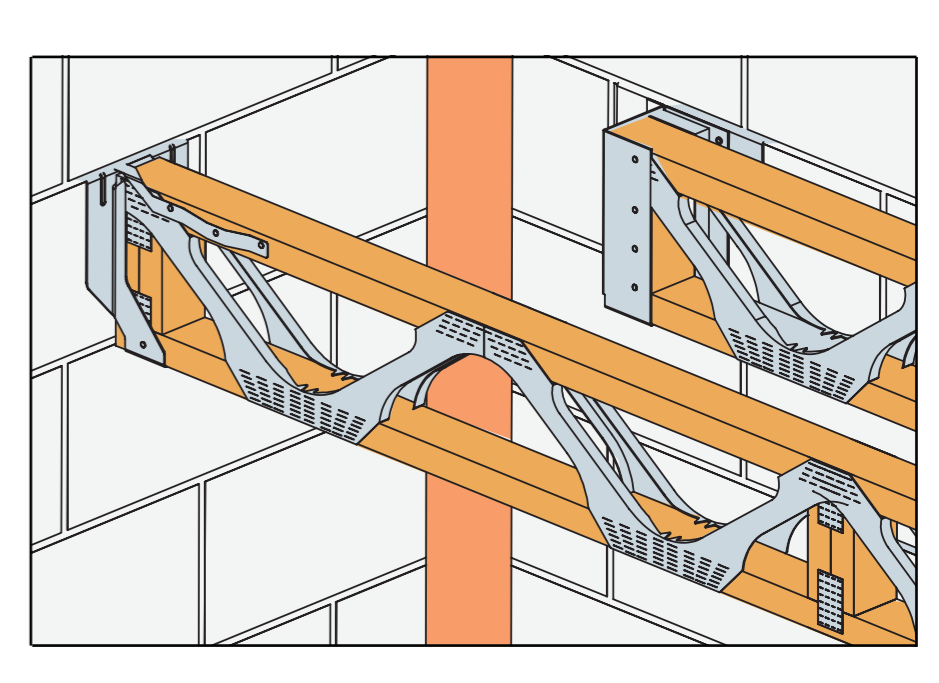
One piece hanger for supporting joists from masonry walls.

**Heavy Duty Masonry Joist Hanger** **HJHM/HJHMI**



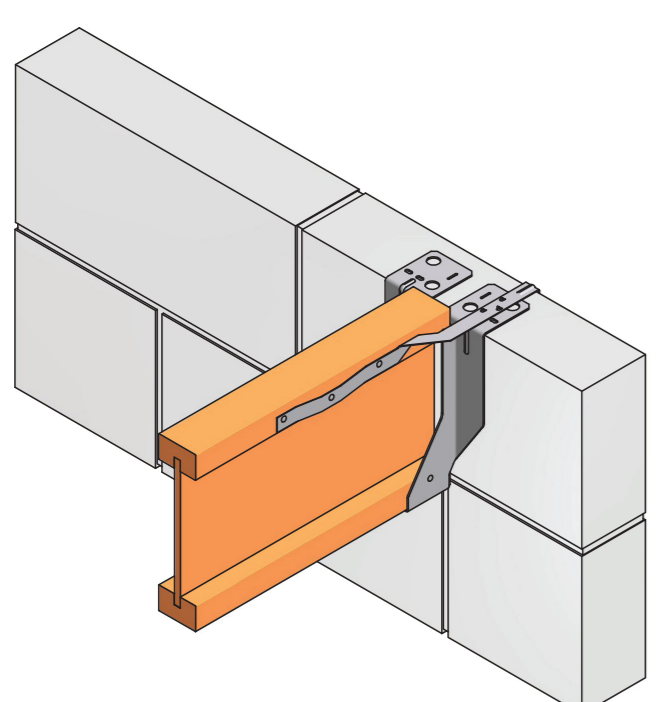
Heavy duty support for joists from masonry walls.

**Skewed Masonry Joist Hanger** **RHMSK**



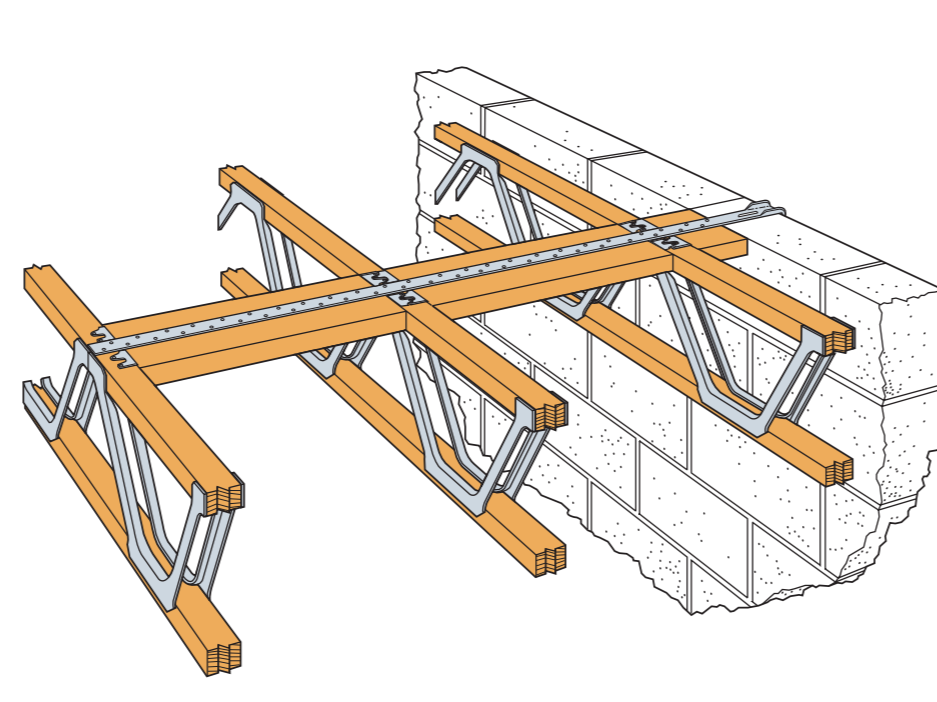
Heavy duty masonry hanger available with skew angle from 5° to 90°.

**Folded Mini Strap** **FMS**



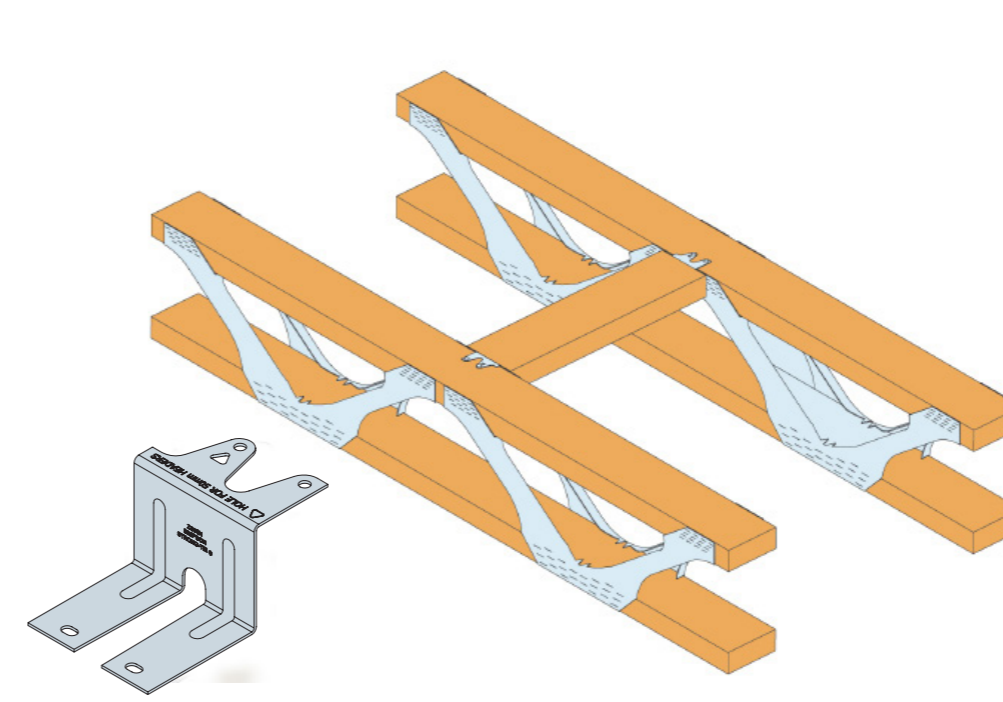
Provides restraint to masonry walls when the walls are supporting joist ends.

**Heavy Engineered Restraint Strap** **HES**



HES straps can be installed across the top of the joist without the need for notching.

**Slotted Z-Clip** **ZS**



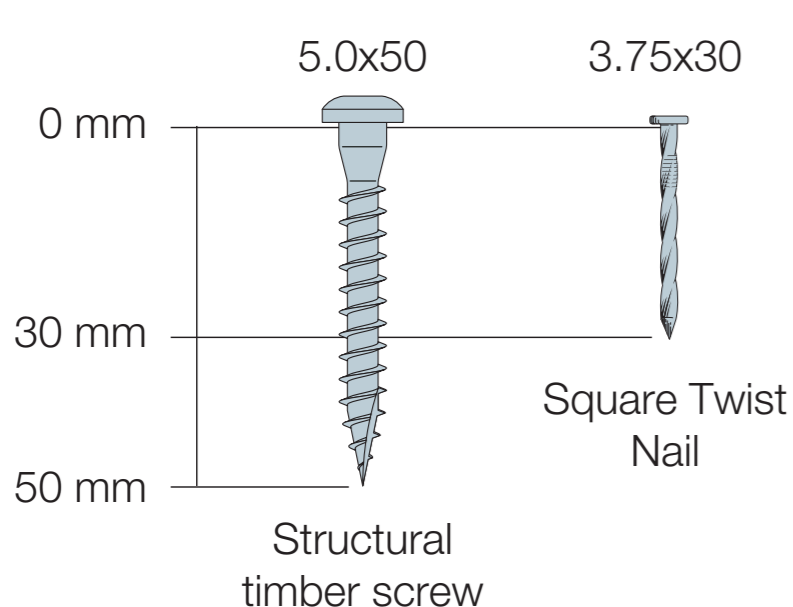
An engineered solution to fixing timber noggings to joists to support the floor deck.

**Structural Screws** **ESCR/SDW**



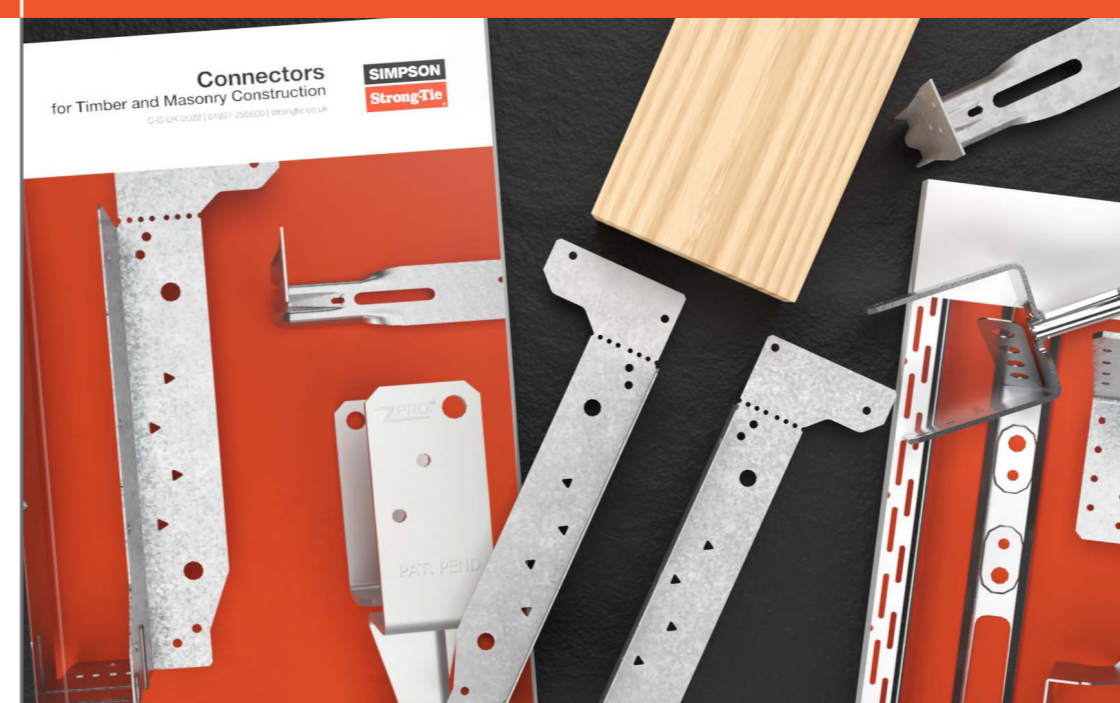
Structural Screws available in lengths up to 400mm. No pre-drilling necessary.

## Fasteners



- Round Hole: To fasten a connector. Always fill and make sure to use the correct nail.
- Hexagonal Hole: For use with SSH screws.
- Triangle Hole: Sometimes provided in addition to round holes. Fill triangular holes when specified.
- Obround Hole: Provide easier nailing access in tight locations. Fasteners installed at any angle.
- Diamond Hole: Optional holes to temporarily secure connectors to the member during installation.

## Customer Care Team



**Mon - Thur 8.30am - 5pm, Fri 3:45pm**  
Cut-off for next day deliveries: Mon-Thur 2pm, Fri Midday



Telephone: 01827 255600  
Email: epdsales@strongtie.com

Where applicable, the products shown above comply with Construction Product Regulations. See the current catalogue for fastener and load information. Simpson Strong-Tie®, Winchester Road, Cardinal Point, Tamworth, Staffordshire, B78 3HG

01827 255600 | www.strongtie.co.uk