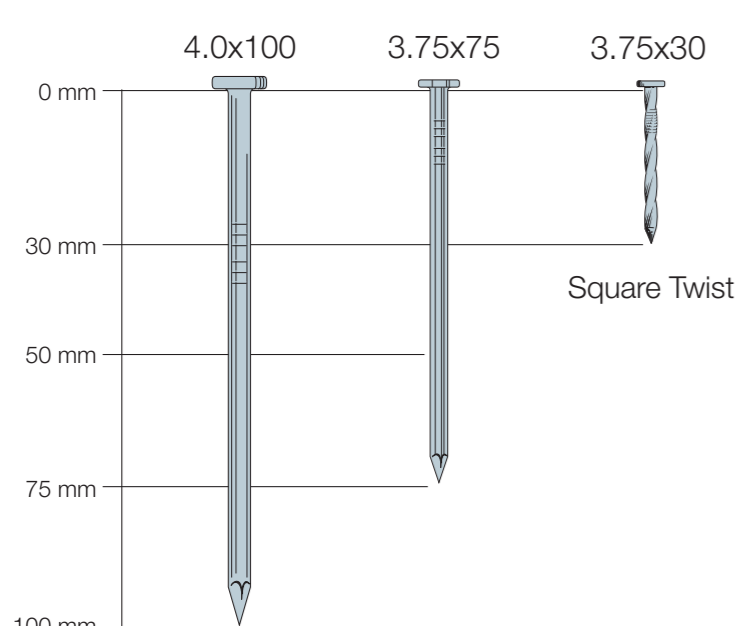


# TRUSS CONNECTORS



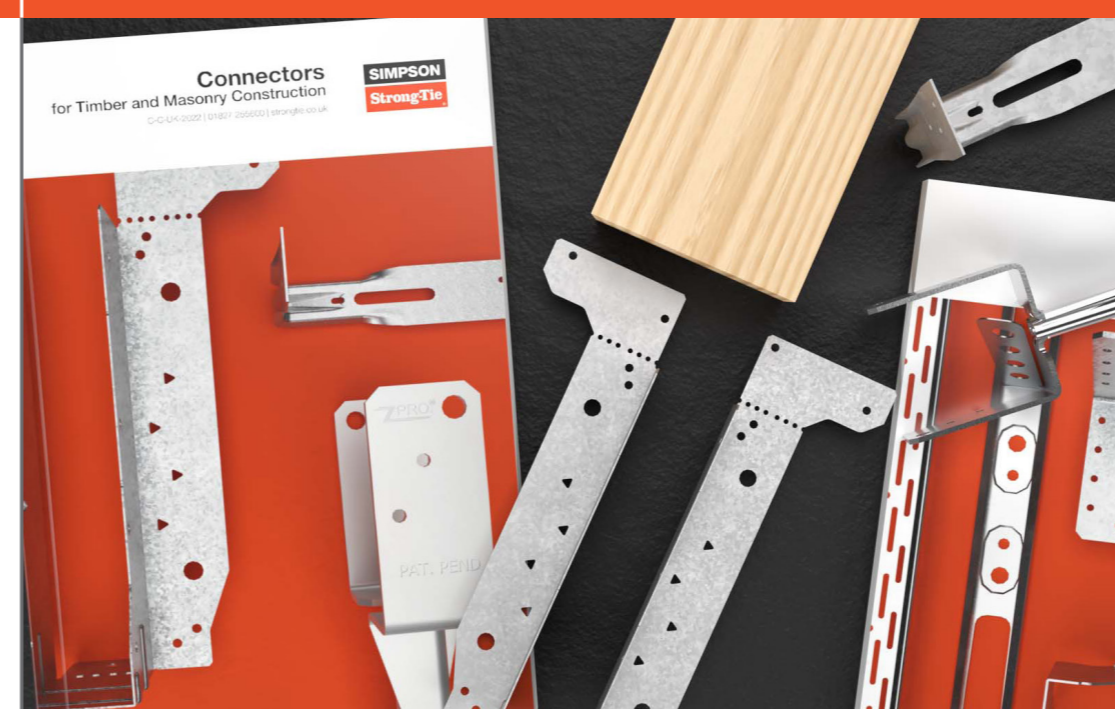
<p><b>TCP</b> Truss Clip</p> <p>Connect trusses and rafters to wall plates providing wind restraint.</p>	<p><b>A35E</b> Framing Anchor</p> <p>Fix girder trusses to wall plates as well as many other timber-timber connections.</p>	<p><b>THM</b> Mono Truss Shoe</p> <p>Truss hanger for supporting mono trusses from girder trusses.</p>	<p><b>THA</b> Girder Truss Shoe</p> <p>Height adjustable truss hanger for supporting trusses from girder trusses.</p>
<p><b>SAE</b> Face Fix Timber Joist Hanger</p> <p>Heavy duty hanger designed for applications which require additional strength.</p>	<p><b>HGUS</b> Girder Joist Hanger</p> <p>Heavy duty hanger for supporting girder trusses from girder trusses.</p>	<p><b>HGUQ</b> Girder Joist Hanger SSH Screws</p> <p>Heavy duty hanger installed with structural screws to increase load capacity.</p>	<p><b>THGQ</b> Heavy Duty Girder Joist Hanger</p> <p>Designed for applications which require additional strength. Install with SSH structural screws.</p>
<p><b>MHA</b> Mini Joist Hanger</p> <p>A galvanised hanger available in a range of widths for small timber sections and timber members, such as trimmers and ceiling joists.</p>	<p><b>JHA</b> Timber Joist Hanger</p> <p>Height adjustable joist hanger for supporting timber members from trusses.</p>	<p><b>GS</b> Glide Shoe</p> <p>Designed to allow horizontal movement between raised tie truss and wall plate.</p>	<p><b>ESCR/SDW</b> Structural Screws</p> <p>Structural Screws available in lengths up to 400mm. No pre-drilling necessary.</p>
<p><b>SFLH</b> Safety Fast Lite Masonry Joist Hanger</p> <p>Supports trusses from masonry walls without masonry above the top flange.</p>	<p><b>SFWH</b> Safety Fast Welded Masonry Joist Hanger</p> <p>Heavy duty hanger that supports it's working load capacity without masonry above the top flange.</p>	<p><b>JHM</b> Masonry Joist Hanger</p> <p>Masonry hanger for supporting trusses and timber joists from masonry walls.</p>	<p><b>HJHM</b> Heavy Duty Masonry Joist Hanger</p> <p>Heavy duty masonry hanger for supporting trusses and timber joists from masonry.</p>
<p><b>GPC</b> Gable Panel Connector</p> <p>Provides lateral restraint to the timber gable panel at the masonry wall junction. Available to suit 100mm, 115mm and 140mm masonry walls.</p>	<p><b>LTS1400E</b> Twisted Strap Tie</p> <p>Restraint strap with a formed twist for timber to timber and timber to masonry connectors. Suitable for use in providing lateral / vertical restraint for timber gable panels.</p>	<p><b>LES</b> Light Engineered Restraint Strap</p> <p>Vertical restraint for connecting wall plates to masonry walls.</p>	<p><b>HES</b> Heavy Engineered Restraint Strap</p> <p>Connects trusses to gable walls. Just 1.5mm thick, the HES fits without notching.</p>

## Fasteners



- Round Hole: To fasten a connector. Always fill and make sure to use the correct nail.
- Hexagonal Hole: For use with SSH screws.
- Triangle Hole: Sometimes provided in addition to round holes. Fill triangular holes when specified.
- Obround Hole: Provide easier nailing access in tight locations. Fasteners installed at any angle.
- Diamond Hole: Optional holes to temporarily secure connectors to the member during installation.

## Customer Care Team



**Mon - Thur 8.30am - 5pm, Fri 3:45pm**  
Cut-off for next day deliveries: Mon-Thur 2pm, Fri Midday



Telephone: 01827 255600  
Email: epdsales@strongtie.com

Where applicable, the products shown above comply with Construction Product Regulations. See the current catalogue for fastener and load information. Simpson Strong-Tie®, Winchester Road, Cardinal Point, Tamworth, Staffordshire, B78 3HG

01827 255600 | www.strongtie.co.uk