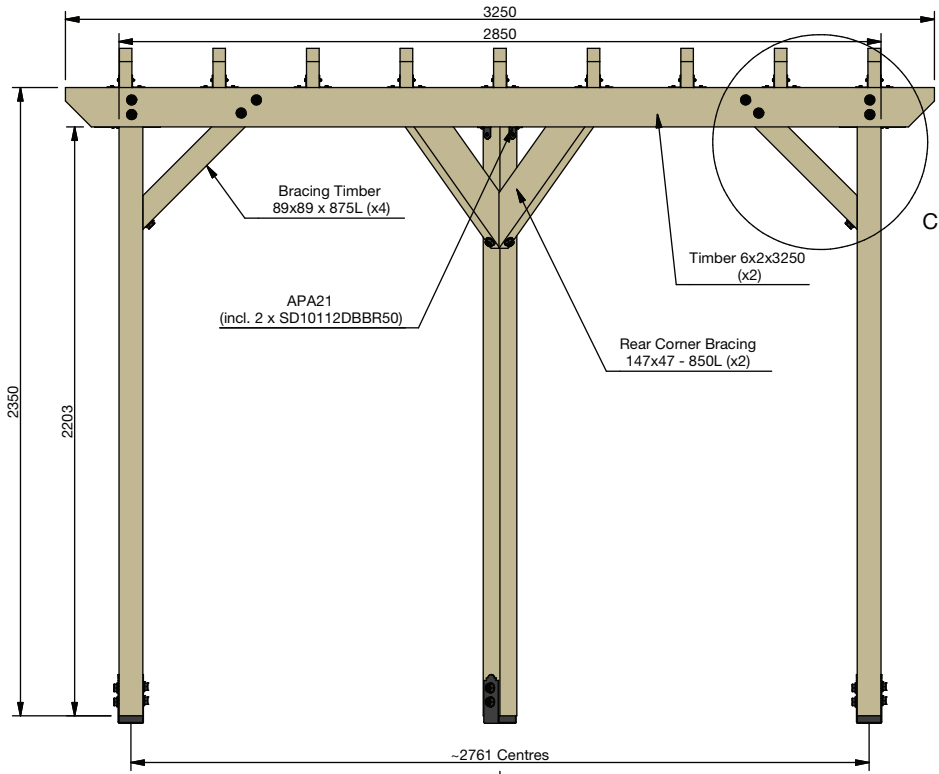
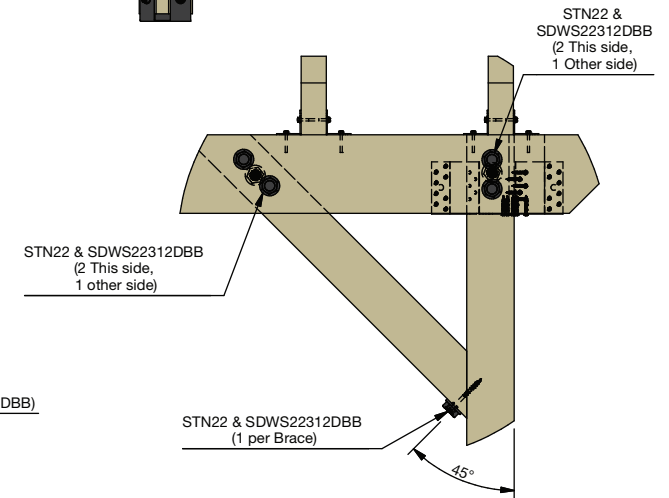
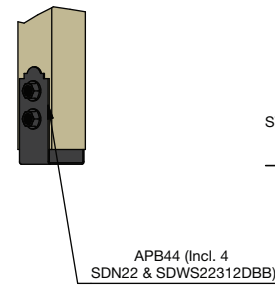
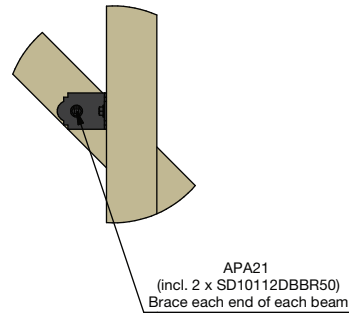
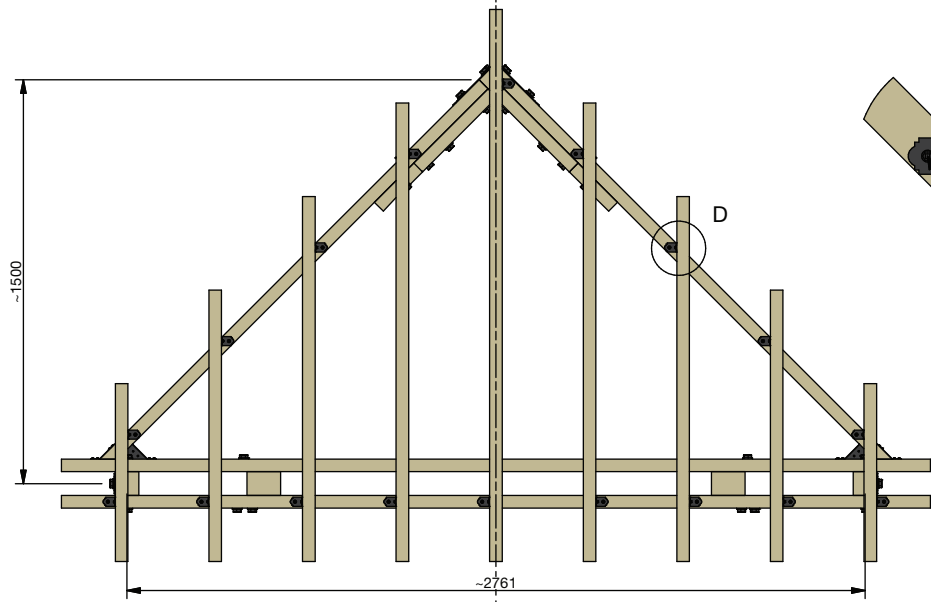
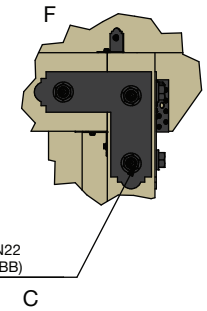
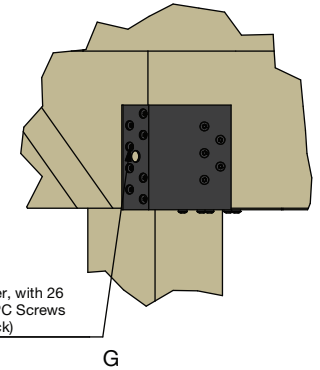
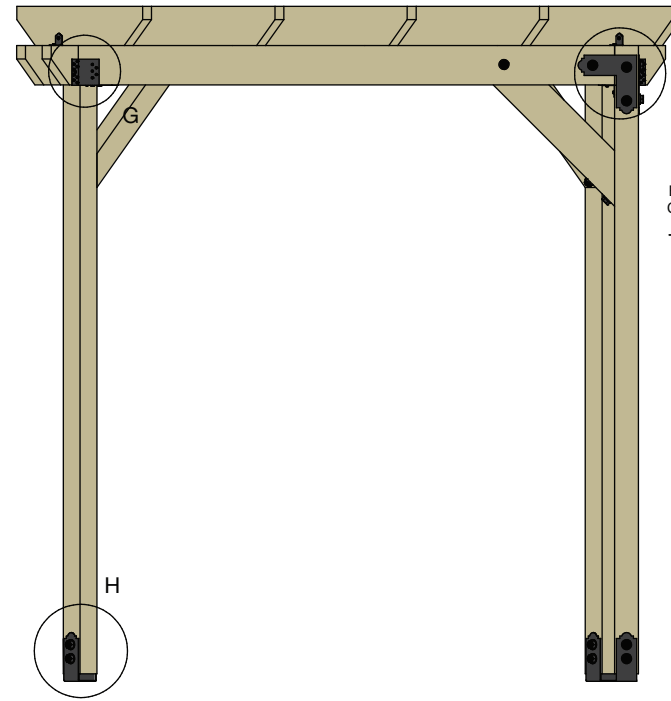


FRONT VIEW



SIDE VIEW



For more information visit
www.strongtie.co.uk/outdoor-living



PARTS LIST			
ITEM	QTY	PART NUMBER	DESCRIPTION
1	3	APB44 Post Base	SST Black P.C Post Base
5	2	Bracing Timber	89x89 Timber, Cut to 750mm
3	2	APL4 L Strap Tie	SST Black P.C. L Strap
4	20	APA21 Light Rafter Tie	SST Black P.C. Rafter Tie
5	2	ET260	SST Skewed 45' Hanger
6	52	CSA5.0x35 CB Screws	Black Powder Coated Screws for ET260
7	30	STN22 Hex Head Washer	Decorative Hex Head Washer
8	30	SDWS22312DBB Screw	Structural Wood Screw (88mm)
9	40	SD10112DBBR50 Screw	Structural Connector Screw (38mm)

TIMBER CUT LIST			
ITEM	QTY	PART NUMBER	DESCRIPTION
1	3	Vertical Post	89x89 Timber - Cut to 2350mm
2	2	Front Facing Timbers	147x47 Timber - Cut to 3250mm
3	2	Corner Edge Timbers	147x47 Timber - Cut to 2005mm
4	2	Front Edge Bracking Timber	89 x 89 Timber - Cut to 750mm
5	2	Rear Corner Bracing Timbers	147x47 Timber - Cut to 850mm
6	2	Rear Corner Support Timbers	147x47 Timber - Cut to 395mm
7	1	Top Beam	147x47 Timber - Cut to 2065mm
8	2	Top Beam	147x47 Timber - Cut to 1715mm
9	2	Top Beam	147x47 Timber - Cut to 1365mm
10	2	Top Beam	147x47 Timber - Cut to 1015mm
11	2	Top Beam	147x47 Timber - Cut to 665mm

